

EAGLE PRO®

WORLDWIDE HYDRAULIC SOLUTIONS

HIGH FORCE HYDRAULIC

TOOLS & SOLUTIONS

EAGLE PRO®





ABOUT US

Established in 1996, EAGLE PRO INDUSTRIAL TOOLS, INC. is a professional manufacturer of hydraulic tools for industrial applications. Our headquarters are located in beautiful Pacific Northwest.

EAGLE PRO hydraulics are manufactured to ISO 9001:2008 a through international quality assurance program which involves consistent observation of administration, management, manufacturing, and production control. Resulting in reliable and dependable high quality products that you can count on every time.

EAGLE PRO hydraulic cylinders meet or exceed ANSI B30.1 standards.



Plant Maintenance

Eagle Pro hydraulic tools and accessories provide efficient everyday solutions for MRO operations

Power Generation

Eagle Pro offers a range of hydraulic tools for all segments of the power generation industry. Whether it is land based oil and gas, offshore drilling, nuclear, or electric, we have an efficient and safe solution



Mining

Eagle Pro provides world class quality products for field support and standard operations in the mining industry. No matter how demanding the environment, Eagle Pro products will get the job done.

Infrastructure

Eagle Pro offers world class quality hydraulic pumps, cylinders and accessories to make any industrial construction project more cost effective and efficient.





WORLDWIDE HYDRAULIC SOLUTIONS

With over 20 years experience manufacturing high pressure hydraulics, and locations on every major continent, Eagle Pro is truly a Worldwide Solutions provider for your high pressure hydraulic needs.

Quality.

Performance.

Every Time.

CATALOG INDEX

LIFTING SOLUTIONS

ES-series General Purpose, Single Acting Cylinders	05
ESL-series Single Acting, Low Height Cylinders	09
ESA-series Single Acting, Aluminum Cylinders	12
ESH-series Single Acting, Hollow Cylinders	13
EDH-series Double Acting, Hollow Cylinders	15
ED-series Double Acting, Cylinders	17
EDLL-series Double Acting, Lock Nut Climbing Cylinders	19
ELL-series Pancake Lock Nut Cylinders	21
ESX-series Single Acting, High Tonnage Cylinders	22
EDX-series Double Acting, High Tonnage Cylinders	25
EL-series Single Acting, Lock Nut Cylinders	29
ESP-series Pull Cylinders	31
Hydraulic Pump And Cylinder Sets	33
EPA-series Hand Pumps	35
EPC-series Air Hydraulic Pumps	37
EPD-series Gas Hydraulic Pumps	39
EPB-series Electric Pumps	41
EHS/EFS-series Hydraulic Spreaders	44
EHP-series Hydraulic Punch	45
EH-series High Pressure Hoses	48
EAB-series Quick Couplers	49
EAC-series Manifolds	49
ECMS-series Single Acting Control Manifolds	50
ECMD-series Double Acting Control Manifolds	50
EFC-series Fittings	51
Cylinder Accessories	52
EG-series High Pressure Gauges	54
EGA-series Gauge Adaptors	55

BOLTING SOLUTIONS

TWP-series Torque Wrench Pumps	57
ESW-series Square Drive Torque Wrenches	58
ESW-Extended Reaction Arms	59
EHW-series Low Profile Torque Wrenches	60
EHW-Links	61
EHW-series In-Line Reaction Arms	63
EHW-series Off-Set Reaction Paddles	63
EPA-series Ultra-High Pressure Hand Pumps	64
EB-series Hydraulic Tensioners	65
ENS-series Hydraulic Nut Splitters	67
ECRK-series 4 Ton & 10 Ton Collision Repair Kits	68
ETJ-series Toe Jacks	69
EBJ-series Bottle Jacks	70



Cylinders Page 5-32



Pumps page 35-43



System Accessories
Page 49-54



Bolting Products
Page 56-67

ES SERIES

Single Acting General Purpose Cylinders

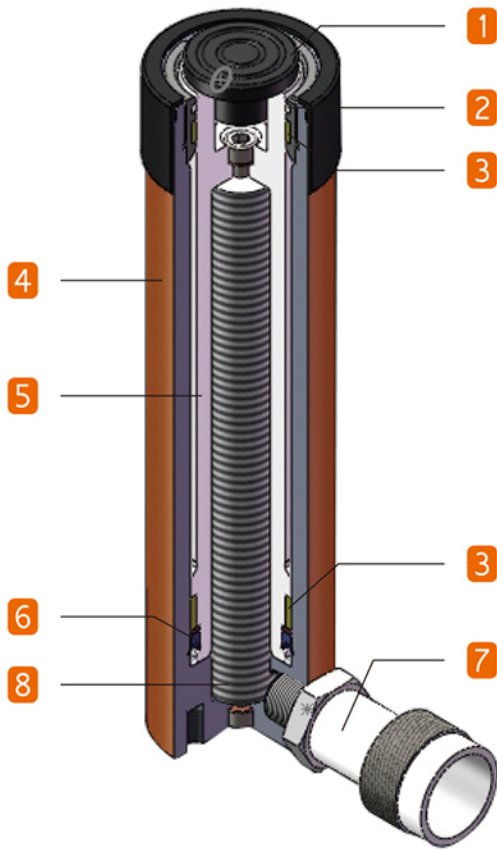


Shown from left to right:
ES-1010, ES-256, ES-252
ES-10010, ES-504, ES-59, ES-2510

Eagle Pro ES series redefines durability for the harshest of industrial environments with its high strength alloy steel construction. Hardened and chromed piston ensures superior product life by reducing wear and corrosion.

Eagle Pro ES series is not only durable, it gets the job done! Heavy-duty, straight pull return springs provide fast retraction. For greater flexibility and easy mounting, the ES series comes with collar, multiple piston threads, and base mounting holes.

Hardened and E-coated snap-in type saddle prevents piston jamming and mushrooming, practically eliminating downtime. The female coupler comes with a dust cover – preventing dirt and debris from entering the hydraulic system. The Eagle Pro ES series also complies with ASME B30.1 standard.



✓ FEATURES

1. Hardened alloy steel guide ring eliminates over travel and provides support to reduce wear from off center loads.
2. Heavy-duty wiper ring keeps dust and debris out of the cylinder body, improving performance and service life of the cylinder.
3. High strength composite bearing provides support for off center loads without damaging the cylinder walls.
4. High strength alloy steel body is precision machined to reduce wear and features a baked enamel finish for durability and corrosion protection.
5. Hardened and chromed piston reduces wear and corrosion.
6. Industrial U-cup style seal prevents costly leaks.
7. Standard coupler provided with dust cover.
8. Heavy-duty, straight pull return springs provide quick retraction times.

✓ ACCESSORIES

High Pressure Hydraulic Hoses



See page 48

Use with EV- 23 manually operated check valve for load holding



See page 52

Tilting saddles available to prevent off center loads from damaging cylinders



See page 53

Pressure gauges available to monitor system pressure



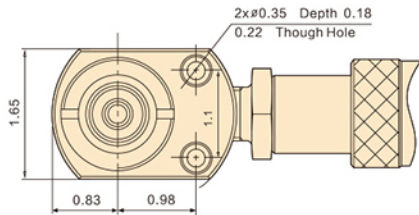
See page 54

80%

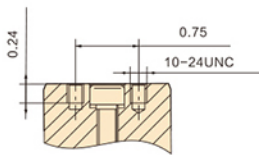
SAFETY FIRST!

Industry best practice recommendation is not to exceed 80% of maximum rated capacities of all our products.

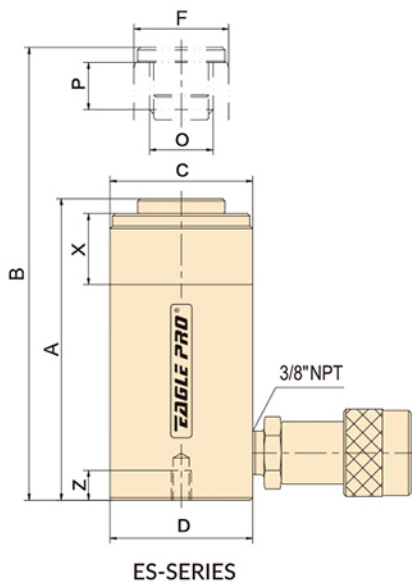
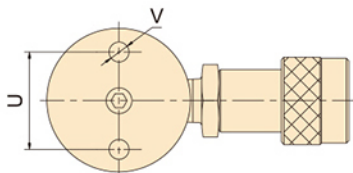
ES SERIES



** ES-50 ONLY (Base Fixturing Holes)



** ES-101 ONLY (Piston Internal Thread)



Model	Cylinder Capacity @ 10,000 Psi (700 Bar)	Stroke	Cylinder Effective Area	Oil Capacity	Collapsed Height		Extended Height	
	Metric Ton(US Ton)				in	in ²	in ³	A in
ES-50	5 (5.5)	0.63	1.10	0.70	1.65	2.28		
ES-51	5 (5.5)	0.98	1.10	1.09	4.33	5.31		
ES-53	5 (5.5)	2.95	1.10	3.25	6.50	9.45		
ES-55	5 (5.5)	5.00	1.10	5.50	8.46	13.46		
ES-57	5 (5.5)	6.97	1.10	7.67	10.75	17.72		
ES-59	5 (5.5)	9.13	1.10	10.05	12.72	21.85		
ES-101	10 (11)	1.02	2.25	2.30	3.50	4.53		
ES-102	10 (11)	2.13	2.25	4.78	4.76	6.89		
ES-104	10 (11)	4.13	2.25	9.29	6.73	10.87		
ES-106	10 (11)	6.14	2.25	13.80	9.72	15.87		
ES-108	10 (11)	7.99	2.25	17.96	11.73	19.72		
ES-1010	10 (11)	10.12	2.25	22.73	13.74	23.86		
ES-1012	10 (11)	11.97	2.25	26.89	15.75	27.72		
ES-1014	10 (11)	14.02	2.25	31.49	17.72	31.73		
ES-151	15 (16.5)	0.98	3.29	3.23	4.88	5.87		
ES-152	15 (16.5)	2.01	3.29	6.60	5.87	7.87		
ES-154	15 (16.5)	3.98	3.29	13.06	7.87	11.85		
ES-156	15 (16.5)	5.98	3.29	19.66	10.67	16.65		
ES-158	15 (16.5)	7.99	3.29	26.25	12.68	20.67		
ES-1510	15 (16.5)	10.00	3.29	32.85	14.69	24.68		
ES-1512	15 (16.5)	12.01	3.29	39.44	16.65	28.66		
ES-1514	15 (16.5)	14.02	3.29	46.04	18.66	32.68		
ES-251	25 (27.5)	1.02	5.15	5.27	5.47	6.50		
ES-252	25 (27.5)	1.97	5.15	10.13	6.50	8.46		
ES-254	25 (27.5)	4.02	5.15	20.66	8.46	12.48		
ES-256	25 (27.5)	6.22	5.15	32.00	10.75	16.97		
ES-258	25 (27.5)	8.27	5.15	42.53	12.72	20.98		
ES-2510	25 (27.5)	10.28	5.15	52.86	14.72	25.00		
ES-2512	25 (27.5)	12.24	5.15	62.98	16.73	28.98		
ES-2514	25 (27.5)	14.25	5.15	73.31	18.74	32.99		
ES-308	30 (33)	8.23	6.85	56.35	15.24	23.46		
ES-502	50 (55)	2.01	10.99	22.06	6.93	8.94		
ES-504	50 (55)	4.02	10.99	44.11	8.94	12.95		
ES-506	50 (55)	6.26	10.99	68.77	11.10	17.36		
ES-5013	50 (55)	13.27	10.99	145.75	18.11	31.38		
ES-756	75 (82.5)	6.14	16.10	98.87	11.22	17.36		
ES-7513	75 (82.5)	13.11	16.10	211.05	19.37	32.48		
ES-1006	100 (102.2)	6.61	20.62	136.30	14.06	20.67		
ES-10010	100 (102.2)	10.24	20.62	210.94	17.68	27.91		

Collar Thread	Outside Thread Length	Outside Diameter	Piston Diameter	Piston Internal Thread	Piston Thread Length	Base Fixturing Holes			Weight	Model
						Bolt Circle	Thread	Thread Depth		
C	X	D	F	O	P	U	V	Z		
in	in	in	in	-	in	in	in	in	lbs	
-	-	2.32 x 1.65	0.98	-	-	1.10	0.22	-	1.80	ES-50
1-1/2"- 16	1.10	1.50	0.98	3/4"-16UNF	0.63	0.98	1/4"- 20UNC	0.55	2.20	ES-51
1-1/2"- 16	1.10	1.50	0.98	3/4"-16UNF	0.63	0.98	1/4"- 20UNC	0.55	2.90	ES-53
1-1/2"- 16	1.10	1.50	0.98	3/4"-16UNF	0.63	0.98	1/4"- 20UNC	0.55	3.70	ES-55
1-1/2"- 16	1.10	1.50	0.98	3/4"-16UNF	0.63	0.98	1/4"- 20UNC	0.55	4.60	ES-57
1-1/2"- 16	1.10	1.50	0.98	3/4"-16UNF	0.63	0.98	1/4"- 20UNC	0.55	5.10	ES-59
2-1/4"- 14	1.02	2.25	1.50	10"- 24UNC	0.24	1.54	5/16"- 18UNC	0.47	3.70	ES-101
2-1/4"- 14	1.02	2.25	1.50	1"- 8UNC	0.75	1.54	5/16"- 18UNC	0.47	4.80	ES-102
2-1/4"- 14	1.02	2.25	1.50	1"- 8UNC	0.75	1.54	5/16"- 18UNC	0.47	6.40	ES-104
2-1/4"- 14	1.02	2.25	1.50	1"- 8UNC	0.75	1.54	5/16"- 18UNC	0.47	9.00	ES-106
2-1/4"- 14	1.02	2.25	1.50	1"- 8UNC	0.75	1.54	5/16"- 18UNC	0.47	10.80	ES-108
2-1/4"- 14	1.02	2.25	1.50	1"- 8UNC	0.75	1.54	5/16"- 18UNC	0.47	12.30	ES-1010
2-1/4"- 14	1.02	2.25	1.50	1"- 8UNC	0.75	1.54	5/16"- 18UNC	0.47	14.10	ES-1012
2-1/4"- 14	1.02	2.25	1.50	1"- 8UNC	0.75	1.54	5/16"- 18UNC	0.47	15.80	ES-1014
2-3/4"- 16	1.38	2.76	1.65	1"- 8UNC	0.98	1.85	3/8"- 16UNC	0.47	7.00	ES-151
2-3/4"- 16	1.38	2.76	1.65	1"- 8UNC	0.98	1.85	3/8"- 16UNC	0.47	8.10	ES-152
2-3/4"- 16	1.38	2.76	1.65	1"- 8UNC	0.98	1.85	3/8"- 16UNC	0.47	11.00	ES-154
2-3/4"- 16	1.38	2.76	1.65	1"- 8UNC	0.98	1.85	3/8"- 16UNC	0.47	14.30	ES-156
2-3/4"- 16	1.38	2.76	1.65	1"- 8UNC	0.98	1.85	3/8"- 16UNC	0.47	16.90	ES-158
2-3/4"- 16	1.38	2.76	1.65	1"- 8UNC	0.98	1.85	3/8"- 16UNC	0.47	19.10	ES-1510
2-3/4"- 16	1.38	2.76	1.65	1"- 8UNC	0.98	1.85	3/8"- 16UNC	0.47	21.60	ES-1512
2-3/4"- 16	1.38	2.76	1.65	1"- 8UNC	0.98	1.85	3/8"- 16UNC	0.47	23.80	ES-1514
3-5/16"- 12	2.13	3.39	2.24	1-1/2"- 16UN	1.02	2.28	1/2"- 13UNC	0.75	11.70	ES-251
3-5/16"- 12	2.13	3.39	2.24	1-1/2"- 16UN	1.02	2.28	1/2"- 13UNC	0.75	13.60	ES-252
3-5/16"- 12	2.13	3.39	2.24	1-1/2"- 16UN	1.02	2.28	1/2"- 13UNC	0.75	17.60	ES-254
3-5/16"- 12	2.13	3.39	2.24	1-1/2"- 16UN	1.02	2.28	1/2"- 13UNC	0.75	22.70	ES-256
3-5/16"- 12	2.13	3.39	2.24	1-1/2"- 16UN	1.02	2.28	1/2"- 13UNC	0.75	26.60	ES-258
3-5/16"- 12	2.13	3.39	2.24	1-1/2"- 16UN	1.02	2.28	1/2"- 13UNC	0.75	31.00	ES-2510
3-5/16"- 12	2.13	3.39	2.24	1-1/2"- 16UN	1.02	2.28	1/2"- 13UNC	0.75	34.10	ES-2512
3-5/16"- 12	2.13	3.39	2.24	1-1/2"- 16UN	1.02	2.28	1/2"- 13UNC	0.75	38.30	ES-2514
3-5/16"- 12	1.97	4.13	2.24	1-1/2"- 16UN	1.02	-	-	-	47.30	ES-308
5"- 12	2.17	5.00	3.15	-	-	3.74	1/2"- 13UNC	0.75	31.70	ES-502
5"- 12	2.17	5.00	3.15	-	-	3.74	1/2"- 13UNC	0.75	39.80	ES-504
5"- 12	2.17	5.00	3.15	-	-	3.74	1/2"- 13UNC	0.75	48.80	ES-506
5"- 12	2.17	5.00	3.15	-	-	3.74	1/2"- 13UNC	0.75	75.50	ES-5013
5-3/4"- 12	1.77	5.75	3.74	-	-	-	-	-	671.00	ES-756
5-3/4"- 12	1.77	5.75	3.74	-	-	-	-	-	110.70	ES-7513
6-7/8"- 12	1.73	6.97	4.13	-	-	5.47	3/4"- 10UNC	0.98	131.30	ES-1006
6-7/8"- 12	1.73	6.97	4.13	-	-	5.47	3/4"- 10UNC	0.98	160.40	ES-10010

ESL SERIES

Single Acting Low Height Cylinders



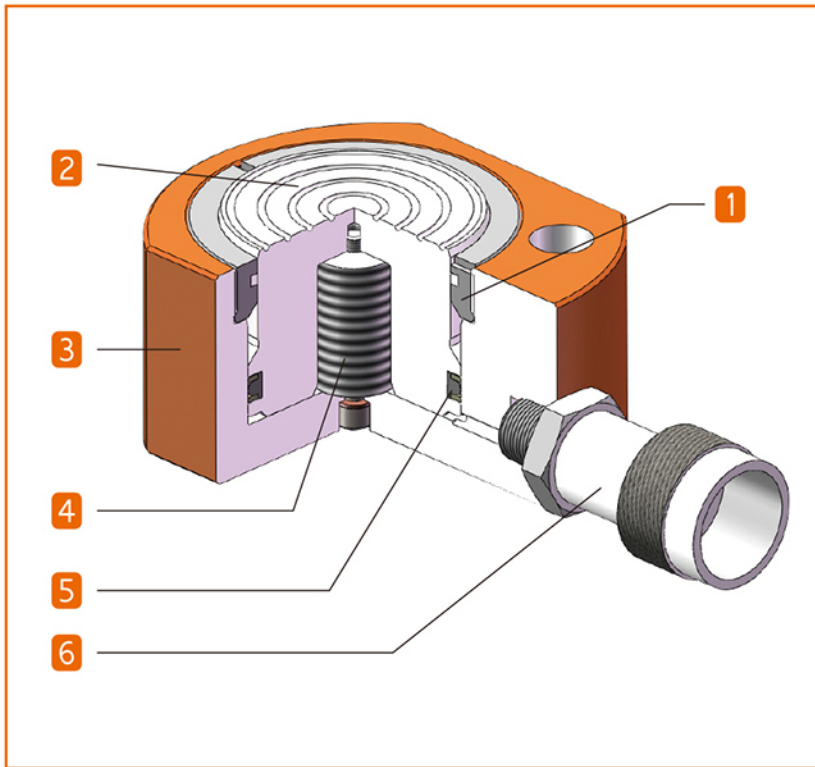
Shown from left to right:
ESL-1000, ESL-1002, ESL-50, ESL-500, ESL-302



Featuring a low-profile, or a flat design, the Eagle Pro ESL series cylinder is an optimal choice for confined spaces. The hardened and chromed piston is constructed of high strength alloy steel that increases durability by reducing wear and corrosion. The grooved piston end does not require a saddle and the inclusion of mounting holes permits easy fixturing.

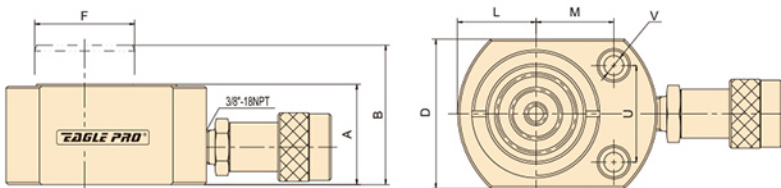
Retraction time is quick thanks to the heavy duty, straight pull return springs. An environmentally friendly coating process is used to provide the durable anti-corrosion finish. The female coupler comes with a dust cover – preventing dirt and debris from entering the hydraulic system. The Eagle Pro ESL Series complies with ASME B30.1 standards.

Model	Cylinder Capacity @ 10,000 Psi (700 Bar)	Stroke in	Cylinder Effective Area in ²	Oil Capacity in ³	Collapsed Height		Extended Height		Outside Diameter in	Piston Diameter in
	Metric Ton(US Ton)				A in	B in	D in	F in		
ESL-50	5 (5.5)	0.24	1.10	0.26	1.30	1.54	2.32 X 1.65		0.98	
ESL-100	10 (11)	0.39	2.25	0.88	1.65	2.09	3.27 X 2.20		1.50	
ESL-200	20 (22)	0.43	4.39	1.90	2.01	2.44	3.98 X 3.00		2.01	
ESL-300	30 (33)	0.51	6.48	3.31	2.30	2.80	4.61 X 3.74		2.60	
ESL-500	50 (55)	0.63	9.86	6.21	2.64	3.27	5.51 X 4.49		2.76	
ESL-750	75 (82.5)	0.63	16.10	10.14	3.11	3.74	6.50 X 5.47		3.27	
ESL-1000	100 (102.2)	0.63	20.58	12.96	3.39	4.02	7.01 X 6.02		3.62	
ESL-1500	150 (154.8)	0.63	31.17	19.63	3.94	4.57	8.46 X 7.48		4.53	



✓ FEATURES

1. Hardened alloy steel guide ring eliminates over travel and provides support to reduce wear from off center loads.
2. Hardened, chromed, and grooved piston reduces wear and corrosion.
3. High strength alloy steel body is precision machined to reduce wear and features a baked enamel finish for durability and corrosion protection.
4. Heavy-duty, straight pull return springs provide quick retraction times.
5. Industrial seal with backup gaskets prevent costly leaks.
6. Standard coupler provided with dust cover.



*Note: ESL-50 has EAB-203A coupler,
The other models have EAB-201A coupler.

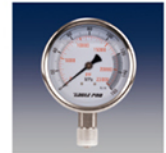
Top Dimension				Weight lbs	Model
M in	L in	V in	U in		
0.91	0.83	0.22	1.12	1.30	ESL-50
1.34	1.10	0.28	1.44	3.30	ESL-100
1.57	1.57	0.39	1.94	5.90	ESL-200
1.77	1.89	0.39	2.05	9.50	ESL-300
2.13	2.24	0.43	2.62	14.70	ESL-500
2.60	2.72	0.53	3.00	25.10	ESL-750
2.91	2.99	0.53	3.00	31.90	ESL-1000
3.23	3.74	0.53	4.62	57.90	ESL-1500

80% SAFETY FIRST!

Industry best practice recommendation is not to exceed 80% of maximum rated capacities of all our products.

✓ ACCESSORIES

Pressure gauges available to monitor system pressure



See page 54

High Pressure Hydraulic Hoses

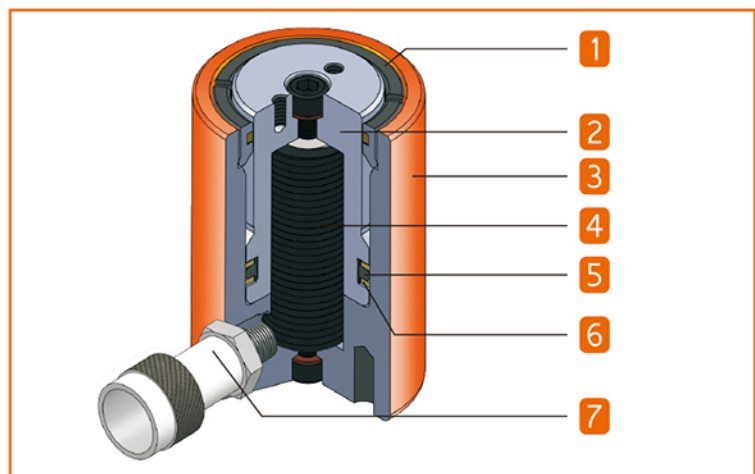
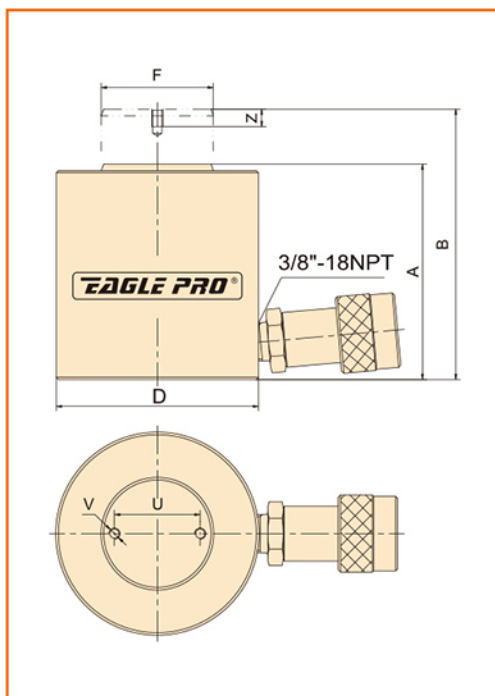


See page 48

ESL SERIES

Featuring a low-profile, or flat design, the Eagle Pro ESL series cylinder is an optimal choice for confined spaces. The hardened and chromed piston is constructed of high strength alloy steel that increases durability by reducing wear and corrosion. The inclusion of mounting holes permits easy fixturing.

Retraction time is quick thanks to the heavy duty, straight pull return springs. An environmentally friendly coating process is used to provide the durable anti-corrosion finish. The female coupler comes with a dust cover – preventing dirt and debris from entering the hydraulic system. The Eagle Pro ESL Series complies with ASME B30.1 standards.



✓ FEATURES

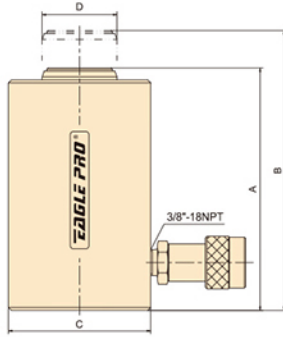
1. Hardened alloy steel guide ring eliminates over travel and provides support to reduce wear from off center loads.
2. Hardened and chromed piston reduces wear and corrosion.
3. High strength alloy steel body is precision machined to reduce wear and features a baked enamel finish for durability and corrosion protection.
4. Heavy-duty, straight pull return springs provide quick retraction times.
5. Industrial seal with backup gaskets prevent costly leaks.
6. High strength composite bearing provides support for off center loads without damaging the cylinder walls.
7. Standard coupler provided with dust cover.

80% SAFETY FIRST!
 Industry best practice recommendation is not to exceed 80% of maximum rated capacities of all our products.

Model	Cylinder Capacity @ 10,000 Psi (700 Bar) Metric Ton(US Ton)	Stroke in	Cylinder Effective Area in ²	Oil Capacity in ³	Collapsed Height	Extended Height	Outside Diameter	Piston Diam.	Base Fixturing Holes			Weight lbs
					A	B	D	F	Bolt Circle U	Thread V	Thread Depth Z	
					in	in	in	in	in	mm	in	
ESL-101	10 (11)	1.50	2.23	3.34	3.46	4.96	2.72	1.50	1.02	M4	0.31	9.02
ESL-201	20 (22)	1.77	4.39	7.77	3.86	5.63	3.62	2.01	1.54	M5	0.31	10.34
ESL-302	30 (33)	2.44	6.48	15.81	4.61	7.05	4.02	2.60	1.54	M5	0.31	14.96
ESL-502	50 (55)	2.36	9.86	23.28	4.80	7.17	4.88	2.76	1.54	M5	0.31	22.22
ESL-1002	100 (102.2)	2.24	20.58	46.17	5.55	7.80	6.50	3.62	2.17	M8	0.43	42.24

ESA SERIES

Single Acting Aluminum Cylinders

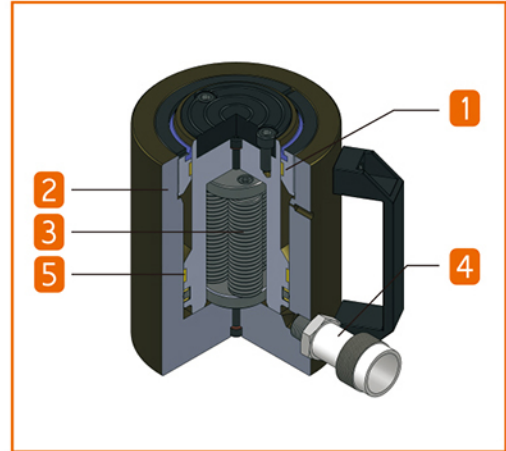


Shown from left to right:
ESA-202, ESA-304

The Eagle Pro ESA series is conveniently lightweight and easy to carry. The high strength aluminum alloy is treated to increase resistance to wear and corrosion. Heavy-duty, straight pull return springs provide quick reaction times. Composite bearings prevent metal-to-metal contact, and protects against side loads. The Rugged, EAB-201A female coupler with dust cover included provides a shield against dust and debris. The Eagle Pro ESA series complies with ASME B30.1 standards.

80% SAFETY FIRST!

Industry best practice recommendation is not to exceed 80% of maximum rated capacities of all our products.



✓ FEATURES

1. Guide ring eliminates over travel and provides support to reduce wear from off center loads.
2. High strength alloy aluminum body is coated to protect against corrosion.
3. High strength, straight pull, return spring assembly provides fast retraction.
4. Standard coupler provided with dust cover.
5. High strength composite bearing provides support for off center loads without damaging the cylinder walls.

Model	Cylinder Capacity @ 10,000 Psi (700 Bar)	Stroke in	Cylinder Effective Area in ²	Oil Capacity in ³	Collapsed Height	Extended Height	Outside Diameter	Piston Diameter	Weight lbs
	Metric Ton(US Ton)				A	B	C	D	
						in	in	in	
ESA-202	20 (22)	2.13	4.39	9.32	6.38	8.50	3.74	1.97	7.70
ESA-204	20 (22)	4.13	4.39	18.13	8.39	12.52	3.74	1.97	9.46
ESA-206	20 (22)	6.14	4.39	26.93	10.37	16.52	3.74	1.97	11.44
ESA-302	30 (33)	2.13	6.85	14.56	7.38	9.51	4.29	2.56	11.44
ESA-304	30 (33)	4.13	6.85	28.31	9.37	13.50	4.29	2.56	13.42
ESA-306	30 (33)	6.14	6.85	42.06	11.38	17.52	4.29	2.56	16.72
ESA-552	50 (55)	2.13	10.99	23.35	6.75	8.88	5.28	3.15	15.84
ESA-554	50 (55)	4.13	10.99	45.41	8.74	12.87	5.28	3.15	19.58
ESA-556	50 (55)	6.14	10.99	67.47	10.75	16.89	5.28	3.15	23.98
ESA-1002	100 (103)	2.13	20.62	43.81	7.76	9.88	7.40	4.13	34.76
ESA-1006	100 (103)	6.26	20.62	129.00	11.75	18.01	7.40	4.13	49.50

ESH SERIES

Single Acting Hollow Cylinders

The Eagle Pro ESH Series allows for both pushing and pulling by incorporating a hollow piston design. The heavy-duty return spring provides notoriously quick reaction times. Easy fixturing with the inclusion of collar threads. The Rugged, EAB-201A female coupler with dust cover included provides a shield against dust and debris. The Eagle Pro ESH Series complies with ASME B30.1 standards.



Shown from left to right:
ESH-302, ESH-120


✓ ACCESSORIES

High Pressure Hydraulic Hoses



See page 48

Use with EV- 23 manually operated check valve for load holding



See page 52

Pressure gauges available to monitor system pressure



See page 54

Tilting saddles available to prevent off center loads from damaging cylinders



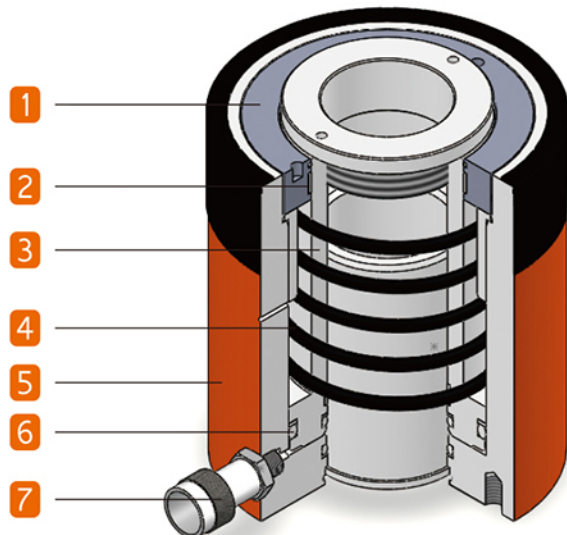
See page 53



80% SAFETY FIRST!
Industry best practice recommendation is not to exceed 80% of maximum rated capacities of all our products.

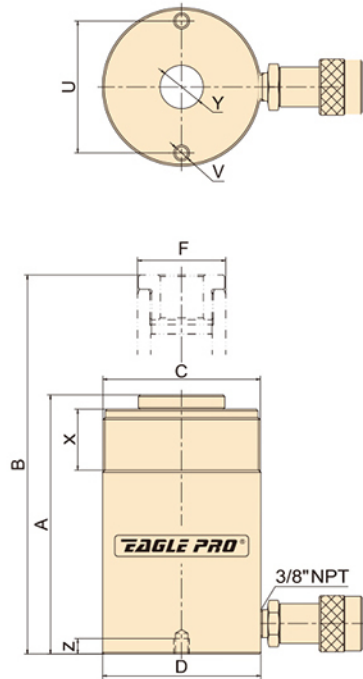
Model	Cylinder Capacity @ 10,000 Psi (700 Bar)	Stroke in	Cylinder Effective Area in ²	Oil Capacity in ³	Collapsed Height	Extended Height	Collar Thread	Collar Thread Length	Outside Diameter
	Metric Ton (US Ton)				A	B	C	X	D
						in	in	in	in
ESH-120	13 (14.3)	0.31	2.87	0.90	2.17	2.48	2-3/4"-16	1.18	2.76
ESH-121	13 (14.3)	1.65	2.87	4.74	4.72	6.38	2-3/4"-16	1.18	2.76
ESH-123	13 (14.3)	2.99	2.87	8.58	7.24	10.24	2-3/4"-16	1.18	2.76
ESH-202	20 (22)	1.93	5.08	9.80	6.38	8.31	3-7/8"-12	1.50	3.90
ESH-206	20 (22)	6.10	5.08	31.01	12.05	18.15	3-7/8"-12	1.50	3.90
ESH-302	30 (33)	2.52	7.39	18.62	7.01	9.53	4-1/2"-12	1.65	4.53
ESH-306	30 (33)	6.10	7.39	45.10	12.99	19.09	4-1/2"-12	1.65	4.53
ESH-603	60 (66)	2.99	13.56	40.57	9.69	12.68	6-1/4"-12	1.89	6.26
ESH-606	60 (66)	6.02	13.56	81.66	12.72	18.74	6-1/4"-12	1.89	6.26
ESH-1003	100 (102.2)	2.99	20.97	62.73	10.00	12.99	8-3/8"-12	2.36	8.35

NOTE: ESH-120, ESH-121 AND ESH-123 HAVE EAB-202A COUPLER, AND 1/4" NPT PORT.



✓ FEATURES

1. Hardened alloy steel guide ring eliminates over travel and provides support to reduce wear from off center loads.
2. High strength composite bearing provides support for off center loads without damaging the cylinder walls.
3. Hardened and chromed piston reduces wear and corrosion.
4. Heavy-duty return springs provide quick retraction times.
5. High strength alloy steel body is precision machined to reduce wear and features a baked enamel finish for durability and corrosion protection.
6. Industrial U-cup style seal prevents costly leaks.
7. Standard coupler provided with dust cover.



Note: ESH-120, ESH-121 and ESH-123 have EAB-202A coupler, and 1/4" NPT port. The other models have EAB-201A coupler and 3/8" NPT port.

Piston Diameter F in	Piston Internal Thread O in	Piston Thread Length P in	Base Fixturing Holes			Center Hole Diameter Y in	Weight lbs	Model
			Bolt Circle U in	Thread V in	Thread Depth Z in			
1.38	3/4"-16UN	0.63	2.00	5/16"-18UNC	0.35	0.77	3.30	ESH-120
1.38	-	-	-	-	-	0.77	6.16	ESH-121
1.38	-	-	2.00	5/16"-18UNC	0.35	0.77	9.68	ESH-123
2.17	1-9/16"-16UN	0.75	3.25	3/8"-16UNC	0.37	1.06	16.06	ESH-202
2.17	1-9/16"-16UN	0.75	3.25	3/8"-16UNC	0.37	1.06	29.48	ESH-206
2.56	1-13/16"-16UN	0.87	3.63	3/8"-16UNC	0.55	1.31	23.10	ESH-302
2.56	1-13/16"-16UN	0.87	3.63	3/8"-16UNC	0.55	1.31	42.46	ESH-306
3.62	2-3/4"-16UN	0.75	5.13	1/2"-13UNC	0.55	2.12	60.28	ESH-603
3.62	2-3/4"-16UN	0.75	5.13	1/2"-13UNC	0.55	2.12	76.56	ESH-606
5.00	4"-16UN	0.98	7.00	5/8"-11UNC	0.79	3.11	130.90	ESH-1003

EDH SERIES

Double Acting Hollow Cylinders

The Eagle Pro EDH series incorporates a hollow piston design that allows both pushing and pulling forces. The construction of high strength alloy steel maximizes durability. The EDH series' double acting operation ensures fast and controlled piston reaction time.

Accidental over-pressurization is prevented with a built-in safety valve. The collar, piston threads, and base mounting holes enable easy fixturing. The EDH Series comes with rugged, EAB-201A female couplers, complete with a heavy-duty dust covers, preventing dirt and debris from entering the hydraulic system. The Eagle Pro EDH series complies with ASME B30.1 standards.



Shown from left to right:
EDH-3010, EDH-603, EDH-6010

✓ ACCESSORIES

High Pressure Hydraulic Hoses



See page 48

Pressure gauges available to monitor system pressure



See page 54

Use with EV- 23 manually operated check valve for load holding



See page 52

Tilting saddles available to prevent off center loads from damaging cylinders

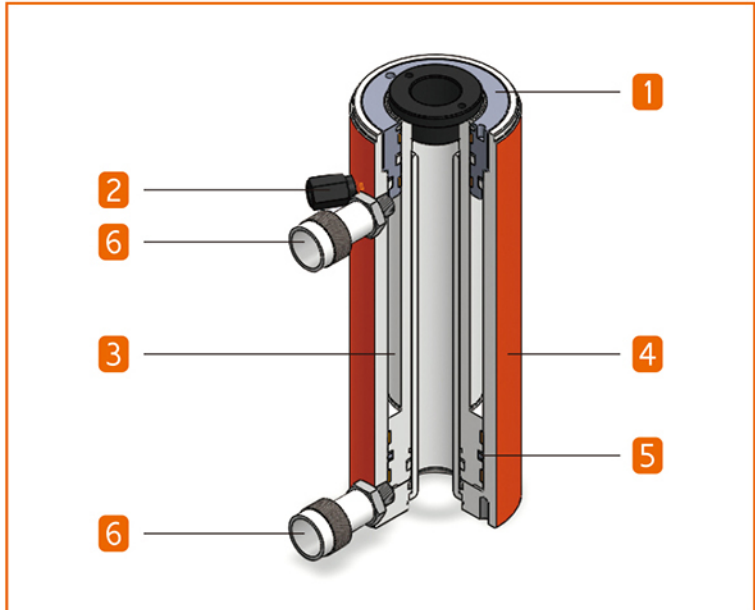
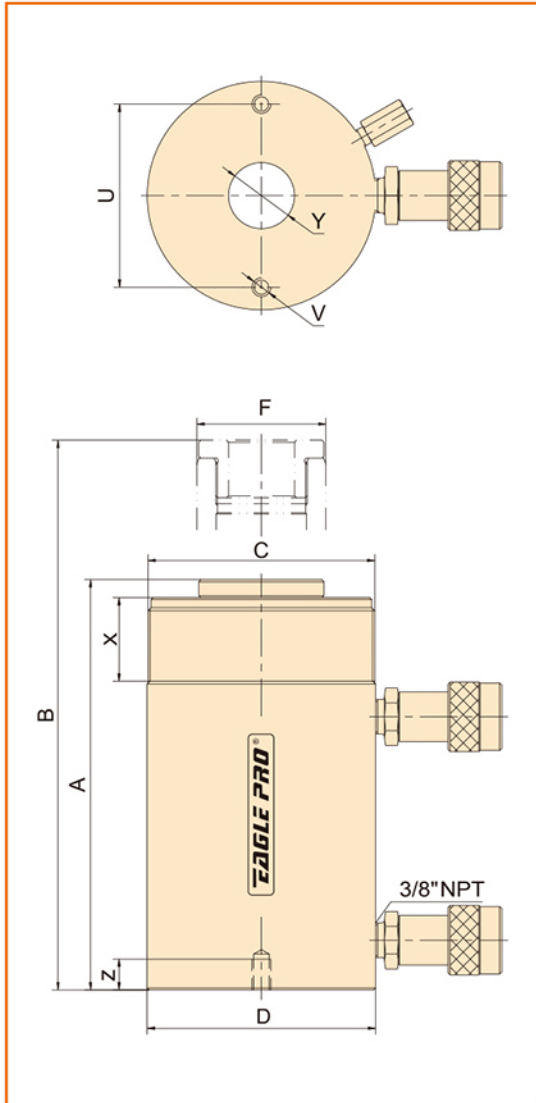


See page 53

80% SAFETY FIRST!
Industry best practice recommendation is not to exceed 80% of maximum rated capacities of all our products.



Model	Cylinder Capacity @ 10,000 Psi (700 Bar) Metric Ton(US Ton)	Stroke in	Max. Cylinder Capacity		Cylinder Effective Area	
			Advance Us Ton	Retract Us Ton	Advance in ²	Retract in ²
EDH-307	30 (33)	7.01	36	25	7.39	5.02
EDH-3010	30 (33)	10.16	36	25	7.39	5.02
EDH-603	60 (66)	3.50	66	43	13.56	8.71
EDH-606	60 (66)	6.54	66	43	13.56	8.71
EDH-6010	60 (66)	10.12	66	43	13.56	8.71
EDH-1001	100 (102.2)	1.50	102	66	20.97	13.50
EDH-1003	100 (102.2)	3.00	102	66	20.97	13.50
EDH-1006	100 (102.2)	6.02	102	66	20.97	13.50
EDH-10010	100 (102.2)	10.12	102	66	20.97	13.50
EDH-1508	150 (159.5)	8.00	149	64	30.54	15.81



✓ FEATURES

1. Hardened alloy steel guide ring eliminates over travel and provides support to reduce wear from off center loads.
2. Automatic safety valve prevents over-pressurization.
3. Hardened and chromed piston reduces wear and corrosion.
4. High strength alloy steel body is precision machined to reduce wear and features a baked enamel finish for durability and corrosion protection.
5. Industrial style seals prevent costly leaks.
6. Standard coupler provided with dust cover.

Oil Capacity		Collapsed Height	Extended Height	Collar Thread	Collar Thread Length	Outside Diameter	Piston Diameter	Piston Internal Thread	Piston Thread Length	Base Fixturing Holes			Center Hole Diameter	Weight	Model
Advance	Retract	A	B	C	X	D	F	O	P	U	V	Z	Y	lbs	
in ³	in ³	in	in	in	in	in	in	in	in	in	in	in	in		
51.79	35.20	12.99	20.00	4-1/2"-12UN	1.65	4.53	2.56	1 13/16" -16	22	3.63	3/8"-16UNC	0.61	1.31	40.26	EDH-307
75.07	51.00	16.97	27.13	4-1/2"-12UN	1.65	4.53	2.56	1 13/16" -16	22	3.63	3/8"-16UNC	0.61	1.31	53.90	EDH-3010
47.50	29.34	9.69	13.19	6-1/4"-12UN	1.89	6.26	3.62	2 3/4"-16	19	5.13	1/2"-13UNC	0.55	2.12	59.84	EDH-603
88.60	54.35	12.72	19.25	6-1/4"-12UN	1.89	6.26	3.62	2 3/4"-16	19	5.13	1/2"-13UNC	0.55	2.12	75.24	EDH-606
137.17	84.67	17.24	27.36	6-1/4"-12UN	1.89	6.26	3.62	2 3/4"-16	25	5.13	1/2"-13UNC	0.55	2.12	103.40	EDH-6010
31.36	20.19	6.50	7.99	-	-	8.35	5.00	4"-16	25	7.00	5/8"-11UNC	0.79	3.11	81.40	EDH-1001
62.73	40.38	10.00	12.99	8-3/8"-12UN	2.36	8.35	5.00	4"-16	25	7.00	5/8"-11UNC	0.79	3.11	122.10	EDH-1003
126.28	81.31	13.46	19.49	8-3/8"-12UN	2.36	8.35	5.00	4"-16	25	7.00	5/8"-11UNC	0.79	3.11	156.20	EDH-1006
212.11	136.58	18.11	28.23	8-3/8"-12UN	2.36	8.35	5.00	4"-16	25	7.00	5/8"-11UNC	0.79	3.11	203.50	EDH-10010
243.95	126.51	13.74	21.73	-	-	9.72	5.91	4 1/4"-12	25	-	-	-	3.12	226.60	EDH-1508

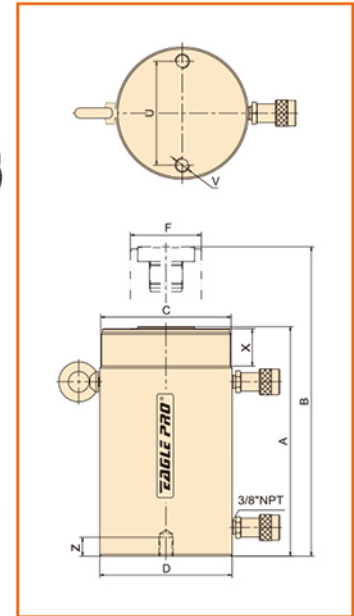
ED SERIES

Double Acting Cylinders

The Eagle Pro ED series produces fast and controlled piston retraction thanks to the double acting operation. A built-in safety valve prevents accidental-over pressurization. Most models include collar, piston threads, and base mounting holes to make fixturing a simple task.

Piston jamming and mushrooming is prevented by the cylinder's hardened, and E-coated snap-in saddle. The ED series enhances durability with a hardened and chromed piston that reduces wear and corrosion. ED series cylinders are easy to move around the job site with the addition of carrying handles (and eyebolts on larger models) that ease positioning and carrying.

A durable, anti-corrosive finish is added using an environmentally friendly coating process. The ED Series comes with rugged, EAB-201A female couplers, complete with heavy-duty dust covers, preventing dirt and debris from entering the hydraulic system. The ED Series complies with ASME B30.1 standards.



Shown from left to right:
ED-506, ED-7513



80% SAFETY FIRST!
Industry best practice recommendation is not to exceed 80% of maximum rated capacities of all our products.

✓ ACCESSORIES

High Pressure Hydraulic Hoses




See page 48

Pressure gauges available to monitor system pressure



See page 54

Use with EV-23 manually operated check valve for load holding



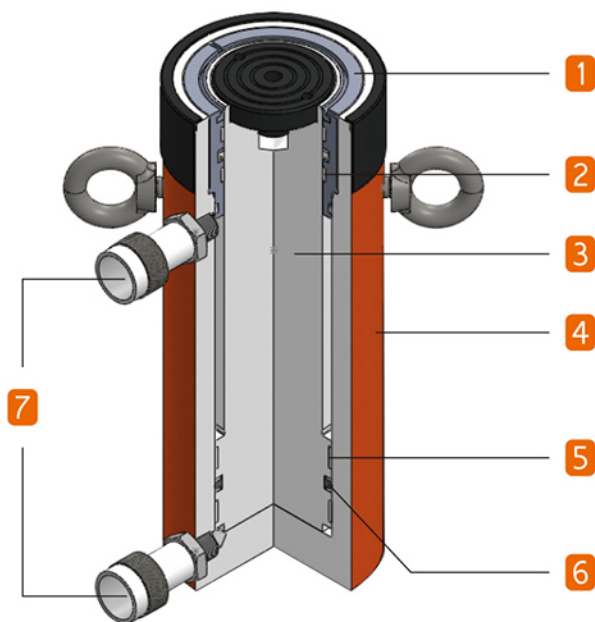
See page 52

Tilting saddles available to prevent off center loads from damaging cylinders



See page 53

Model	Cylinder Capacity @ 10,000 Psi (700 Bar) Metric Ton(US Ton)	Stroke in	Max. Cylinder Capacity		Cylinder Effective Area	
			Advance Metric Ton(US Ton)	Retract Metric Ton(US Ton)	Advance in ²	Retract in ²
ED-1010	10 (11)	10.00	10 (11)	4 (4.4)	2.25	0.76
ED-1012	10 (11)	12.01	10 (11)	4 (4.4)	2.25	0.76
ED-308	30 (33)	8.23	30 (33)	6 (6.6)	6.49	2.81
ED-3014	30 (33)	14.49	30 (33)	6 (6.6)	6.49	2.81
ED-506	50 (55)	6.14	50 (55)	16 (17.6)	10.99	3.19
ED-5013	50 (55)	13.15	50 (55)	16 (17.6)	10.99	3.19
ED-5020	50 (55)	20.12	50 (55)	16 (17.6)	10.99	3.19
ED-756	75 (82.5)	6.14	75 (82.5)	25 (27.5)	16.10	5.12
ED-7513	75 (82.5)	13.11	75 (82.5)	25 (27.5)	16.10	5.12
ED-1006	100 (102.2)	6.61	95 (104.5)	48 (52.8)	20.62	9.59
ED-10013	100 (102.2)	13.11	95 (104.5)	48 (52.8)	20.62	9.59
ED-10018	100 (102.2)	18.11	95 (104.5)	48 (52.8)	20.62	9.59
ED-1502	140 (154)	2.24	140 (154)	75 (82.5)	31.16	15.07
ED-1506	140 (154)	6.14	140 (154)	75 (82.5)	31.16	15.07
ED-15013	140 (154)	13.11	140 (154)	75 (82.5)	31.16	15.07
ED-2006	200 (220)	5.98	200 (220)	108 (118.8)	43.94	21.76
ED-20013	200 (220)	12.99	200 (220)	108 (118.8)	43.94	21.76
ED-3006	300 (330)	6.02	300 (330)	184 (202.4)	70.12	36.98



✓ FEATURES

1. Hardened alloy steel guide ring eliminates over travel and provides support to reduce wear from off center loads.
2. Industrial U-cup style seal prevents costly leaks.
3. Hardened and chromed piston reduces wear and corrosion.
4. High strength alloy steel body is precision machined to reduce wear and features a baked enamel finish for durability and corrosion protection.
5. High strength composite bearing provides support for off center loads without damaging the cylinder walls.
6. Optional tilt saddles help prevent cylinder damage from off center loads.
7. Standard coupler provided with dust cover.

Oil Capacity		Collapsed Height	Extended Height	Collar Thread	Collar Thread Length	Outside Diameter	Piston Rod Diameter	Base Fixturing Holes			Weight lbs	Model
Advance in ³	Retract in ³	A in	B in	C(UN)	X in	D in	F in	U in	V in	Z in		
22.47	7.59	16.10	26.10	2-1/4" -14UN	1.02	2.87	1.38	-	-	-	26.40	ED-1010
26.98	9.12	17.99	30.00	2-1/4" -14UN	1.02	2.87	1.38	-	-	-	30.80	ED-1012
53.42	23.08	15.24	23.46	3-5/16" -12UN	1.93	4.13	2.17	-	-	-	44.00	ED-308
94.06	40.63	21.61	36.10	3-5/16" -12UN	1.93	4.13	2.17	-	-	-	68.20	ED-3014
67.47	19.60	13.03	19.17	5" -12UN	1.73	5.00	3.15	-	-	-	66.00	ED-506
144.45	41.97	20.04	33.19	5" -12UN	1.73	5.00	3.15	-	-	-	114.40	ED-5013
221.00	64.21	28.86	48.98	5" -12UN	1.73	5.18	3.15	2.99	1/2" -13UNC	0.98	154.00	ED-5020
98.87	31.40	13.66	19.80	5-3/4" -12UN	1.50	5.75	3.74	-	-	-	90.20	ED-756
211.05	67.03	20.67	33.78	5-3/4" -12UN	1.50	5.75	3.74	-	-	-	149.60	ED-7513
136.30	63.44	14.06	20.67	6-7/8" -12UN	1.97	6.97	3.74	5.47	3/4" -10UNC	0.98	134.20	ED-1006
270.16	125.74	20.63	33.74	6-7/8" -12UN	1.97	6.97	3.74	5.47	3/4" -10UNC	0.98	204.60	ED-10013
373.20	173.69	27.05	45.16	6-7/8" -12UN	1.97	6.97	3.74	5.47	3/4" -10UNC	0.98	257.40	ED-10018
69.89	33.80	7.72	9.96	-	-	8.03	4.53	-	-	-	107.80	ED-1502
191.27	92.50	15.16	21.30	8" -12UN	2.17	8.03	4.53	6.22	3/4" -16UNC	1.10	204.60	ED-1506
408.29	197.44	22.91	36.02	8" -12UN	2.17	8.03	4.53	6.22	3/4" -16UNC	1.10	272.80	ED-15013
262.86	130.18	16.93	22.91	-	-	9.78	5.31	5.00	1" -8UNC	0.98	323.40	ED-2006
570.69	282.63	23.94	36.93	9-3/4" -12UN	2.13	9.78	5.31	5.00	1" -8UNC	0.98	437.80	ED-20013
422.22	222.69	19.09	25.12	12-1/4" -12UN	2.28	12.28	6.50	6.22	1-1/4" -7UNC	1.73	440.00	ED-3006

EDLL SERIES

Double Acting, Lock Nut Climbing Cylinders.

Featuring a low-profile design, the Eagle Pro EDLL series cylinder is the perfect solution for confined spaces where you need more lift than the standard low-profile cylinder typically provides.

With the ability to climb, these cylinders can provide close to 5" of secure lift in a compact design.

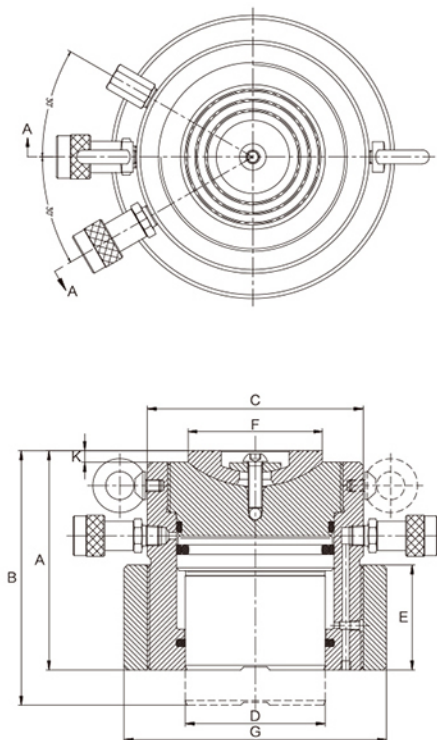
Double action design provides fast and controlled piston retraction while the alloy lock nut allows for mechanical load holding. The EDLL series comes equipped with a tilting saddle standard, while a built-in safety valve prevents accidental over-pressurization.

The hardened and black nitrocarburized piston, tilting saddle, lock nut, and climbing accessories are constructed of high strength alloy steel for increased durability and corrosion resistance.

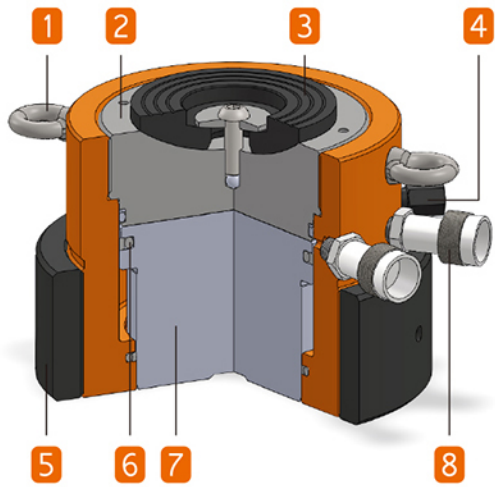
Dust covers and couplers come standard. The Eagle Pro EDLL Series complies with ASME B30.1 standards.



Shown from left to right:
EDLL-1502TS



Model	Cylinder Capacity @ 10,000 Psi (700 Bar)	Stroke in	Cylinder Effective Area in ²
	Metric Ton(US Ton)		
EDLL-1002TS	100 (110)	1.97	22.19
EDLL-1004TS		3.94	22.19
EDLL-1502TS	150 (165)	1.97	33.14
EDLL-1504TS		3.94	33.14
EDLL-2002TS	200 (220)	1.97	43.95
EDLL-2004TS		3.94	43.95
EDLL-2502TS	250 (275)	1.97	56.27
EDLL-2504TS		3.94	56.27
EDLL-3002TS	300 (330)	1.97	67.23
EDLL-3004TS		3.94	67.23
EDLL-4002TS	400 (440)	1.97	88.75
EDLL-4004TS		3.94	88.75
EDLL-5002TS	500 (550)	1.97	113.25
EDLL-5004TS		3.94	113.25
EDLL-6002TS	600 (660)	1.97	134.23
EDLL-6004TS		3.94	134.23
EDLL-8002TS	800 (880)	1.97	180.45
EDLL-8004TS		3.94	180.45
EDLL-10002TS	1000 (1100)	1.97	225.1
EDLL-10004TS		3.94	225.1



✓ FEATURES

1. Lifting eyes included for ease of positioning.
2. Hardened alloy steel guide ring eliminates over travel.
3. Tilting saddle included to protect against off center loads.
4. Built in safety valve to prevent over-pressurization.
5. High strength steel lock nut.
6. Industrial seals prevent costly leaks.
7. Hardened, Nitro-carburized coated piston reduces wear and corrosion.
8. Standard couplers and dust covers provided.



Collapsed Height (A)	Extended Height (B)	Outside Diameter (C)	Piston Diameter (D)	Lock Nut Thickness (E)	Saddle Dia (F)	Lock Nut Dia (G)	Stop Ring Height (J)	Clearance Between Saddle and Stop Ring (K)	Cribbing Block Thickness	Weight	Model
in	in	in	in	in	in	in	in	in	in	lbs	
7.4	9.37	7.28	4.72	3.54	4.53	8.86	1.38	0.39	1.77	101.4	EDLL-1002TS
9.37	11.34	7.28	4.72	5.51	4.53	8.86	1.38	0.39	1.77	132.3	EDLL-1004TS
7.48	9.45	8.66	5.51	3.54	5.31	10.24	1.38	0.39	1.77	138.9	EDLL-1502TS
9.45	11.42	8.66	5.51	5.51	5.31	10.24	1.38	0.39	1.77	178.6	EDLL-1504TS
7.76	9.73	9.84	6.3	3.54	6.1	11.62	1.38	0.47	1.77	183	EDLL-2002TS
9.73	11.70	9.84	6.3	5.51	6.1	11.62	1.38	0.47	1.77	235.9	EDLL-2004TS
7.87	9.84	11.02	7.09	3.74	6.89	12.99	1.38	0.47	1.77	233.7	EDLL-2502TS
9.84	11.81	11.02	7.09	5.71	6.89	12.99	1.38	0.47	1.77	299.8	EDLL-2504TS
8.35	10.32	12	7.87	3.94	7.68	14.17	1.58	0.47	1.77	297.6	EDLL-3002TS
10.32	12.29	12	7.87	5.91	7.68	14.17	1.58	0.47	1.77	374.8	EDLL-3004TS
9.17	11.14	13.78	8.86	3.94	8.46	16.54	1.77	0.59	1.77	438.7	EDLL-4002TS
11.14	13.11	13.78	8.86	5.91	8.46	16.54	1.77	0.59	1.77	535.7	EDLL-4004TS
9.37	11.34	15.35	9.84	4.33	9.45	18.11	1.77	0.59	1.77	540.1	EDLL-5002TS
11.34	13.31	15.35	9.84	6.3	9.45	18.11	1.77	0.59	1.77	661.4	EDLL-5004TS
9.65	11.62	16.54	10.63	4.53	10.24	19.69	1.77	0.59	1.77	652.6	EDLL-6002TS
11.62	13.59	16.54	10.63	6.5	10.24	19.69	1.77	0.59	1.77	798.1	EDLL-6004TS
11.02	12.99	19.29	12.6	4.92	12.2	22.84	2.17	0.79	1.77	1003.1	EDLL-8002TS
12.99	14.96	19.29	12.6	6.89	12.2	22.84	2.17	0.79	1.77	1201.5	EDLL-8004TS
12	13.97	21.26	13.78	5.12	13.39	25.59	2.17	0.79	1.77	1322.8	EDLL-10002TS
13.97	15.94	21.26	13.78	7.09	13.39	25.59	2.17	0.79	1.77	1569.7	EDLL-10004TS

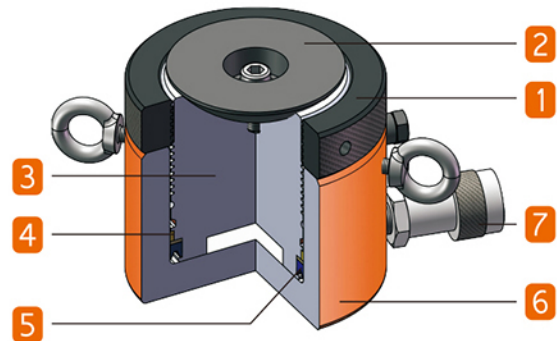
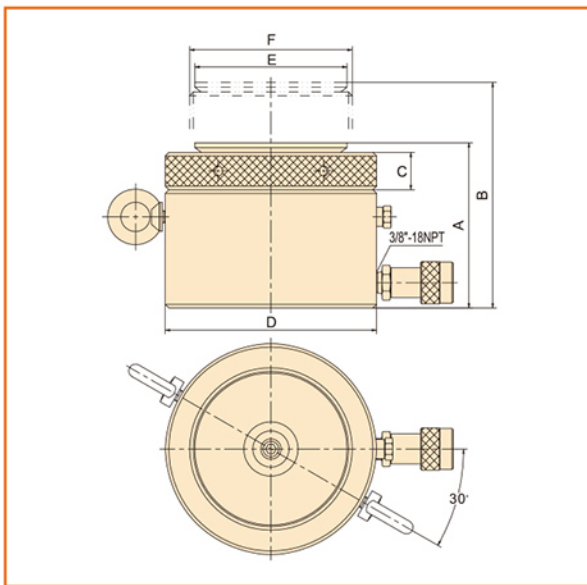
ELL SERIES

Pancake Lock Nut Cylinders

The Eagle Pro ELL Series features a low-profile, flat design for use in confined spaces. An alloy steel lock nut allows for mechanical load holding. The ELL series comes equipped with a tilting saddle standard. The overflow port functions as a stroke limiter. Dust covers are included with the rugged, EAB-201A female coupler. The Eagle Pro ELL Series complies with ASME B30.1 standards.



ELL-602, ELL-1002



✓ FEATURES

1. High strength steel lock nut.
2. Tilting saddle standard.
3. Hardened, chromed and threaded piston reduces wear and corrosion.
4. High strength composite bearing provides support for off center loads without damaging the cylinder walls.
5. Industrial U-cup style seal prevents costly leaks.
6. High strength alloy steel body is precision machined to reduce wear and features a baked enamel finish for durability and corrosion protection.
7. Standard coupler provided with dust cover.

80% SAFETY FIRST!
 Industry best practice recommendation is not to exceed 80% of maximum rated capacities of all our products.



Model	Cylinder Capacity @ 10,000 Psi (700 Bar)	Stroke	Cylinder Effective Area	Oil Capacity	Collapsed Height	Extended Height	Lock Nut Thickness	Outside Diameter	Saddle Diameter	Piston Diameter	Weight
	Metric Ton(Us Ton)				A	B		D	E	F	
					In	In		In	In	mm	
ELL-602	60 (66)	1.97	13.42	26.41	4.91	6.88	1.10	5.50	3.77	TR104 X4	31.90
ELL-1002	100 (110)	1.97	22.18	43.65	5.38	7.35	1.22	6.88	4.95	TR134.5 X 6	51.70
ELL-1602	160 (176)	1.77	35.00	62.31	5.82	7.58	1.57	8.61	6.29	TR170 X 6	91.30
ELL-2002	200 (220)	1.77	43.94	77.82	6.09	7.86	1.69	9.63	7.07	TR 190 X6	125.40
ELL-2502	250 (275)	1.77	56.28	99.67	6.25	8.02	1.73	10.81	7.86	TR215 X 6	162.80
ELL-4002	400 (440)	1.77	85.48	151.39	7.00	8.76	2.16	13.76	9.83	TR265 X 6	294.80
ELL-5002	520 (572)	1.77	113.24	200.55	7.55	9.31	2.44	15.72	11.40	TR305 X 6	415.80

ESX SERIES

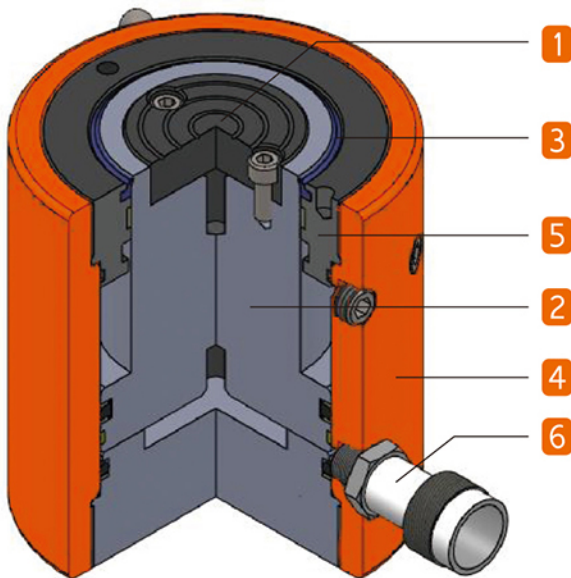
Single Acting High Tonnage Cylinders

Eagle Pro ESX series feature high strength alloy steel aimed at maximizing durability. The hardened and chromed piston reduces wear and corrosion damage. The inclusion of base mounting holes enables easy fixturing. An environmentally friendly coating process produces a finish that protects against corrosion. The ESX features a single acting, load return operation. Additionally, optional tilt saddles are available. The Rugged, EAB-201A female coupler with dust cover included provides a shield against dust and debris. The Eagle Pro ESX Series complies with ASME B30.1 Standards.



80% **SAFETY FIRST!**
Industry best practice recommendation is not to exceed 80% of maximum rated capacities of all our products.

Shown from left to right:
ESX-506, ESX-2002T, ESX-1008T

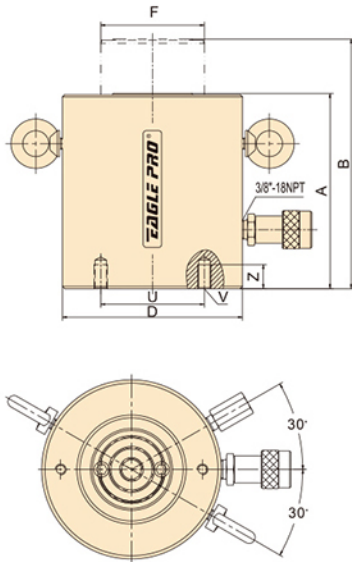


✓ FEATURES

1. Bolt-on, e-coated removable grooved saddle prevents piston damage.
2. Hardened and chromed piston reduces wear and corrosion.
3. High strength wiper ring keeps dirt and debris out.
4. High strength alloy steel body is precision machined to reduce wear and features a baked enamel finish for durability and corrosion resistance.
5. Hardened alloy steel guide ring eliminates over travel and provides support to reduce wear from off center loads.
6. Standard coupler provided with dust cover.

ESX SERIES

Single Acting High Tonnage Cylinders



✓ ACCESSORIES

High Pressure Hydraulic Hoses



See page 48

Pressure gauges available to monitor system pressure



See page 54

Use with EV- 23 manually operated check valve for load holding



See page 52

Tilting saddles available to prevent off center loads from damaging cylinders



See page 53

Model	Cylinder Capacity @ 10,000 Psi (700 Bar)	Stroke	Cylinder Effective Area	Oil Capacity
	Metric Ton(US Ton)	in	in ²	in ³
ESX-502	50 (55)	1.97	11.69	23.00
ESX-504	50 (55)	3.94	11.69	45.99
ESX-506	50 (55)	5.91	11.69	68.99
ESX-508	50 (55)	7.87	11.69	91.99
ESX-5010	50 (55)	9.84	11.69	114.99
ESX-5012	50 (55)	11.81	11.69	137.98
ESX-1002T	100 (105)	1.97	20.57	40.47
ESX-1004T	100 (105)	3.94	20.57	80.95
ESX-1006T	100 (105)	5.91	20.57	121.42
ESX-1008T	100 (105)	7.87	20.57	161.89
ESX-10010T	100 (105)	9.84	20.57	202.37
ESX-10012T	100 (105)	11.81	20.57	242.84
ESX-1502T	150 (155)	1.97	31.16	61.31
ESX-1504T	150 (155)	3.94	31.16	122.61
ESX-1506T	150 (155)	5.91	31.16	183.92
ESX-1508T	150 (155)	7.87	31.16	245.22
ESX-15010T	150 (155)	9.84	31.16	306.53
ESX-15012T	150 (155)	11.81	31.16	367.83
ESX-2002T	200 (220)	1.97	41.66	81.98
ESX-2006T	200 (220)	5.91	41.66	245.95
ESX-20012T	200 (220)	11.81	41.66	491.90
ESX-2502T	250 (275)	1.97	56.28	110.75
ESX-2506T	250 (275)	5.91	56.28	332.24
ESX-25012T	250 (275)	11.81	56.28	664.47
ESX-3002T	300 (330)	1.97	70.12	137.98
ESX-3006T	300 (330)	5.91	70.12	413.95
ESX-30012T	300 (330)	11.81	70.12	827.89
ESX-4002T	400 (440)	1.97	85.48	168.21
ESX-4006T	400 (440)	5.91	85.48	504.62
ESX-40012T	400 (440)	11.81	85.48	1009.25
ESX-5002T	500 (550)	1.97	113.24	222.83
ESX-5006T	500 (550)	5.91	113.24	668.50
ESX-50012T	500 (550)	11.81	113.24	1337.00
ESX-6002T	600 (660)	1.97	132.57	260.87
ESX-6006T	600 (660)	5.91	132.57	782.60
ESX-60012T	600 (660)	11.81	132.57	1565.20
ESX-8002T	800 (880)	1.97	180.45	355.08
ESX-8006T	800 (880)	5.91	180.45	1065.24
ESX-80012T	800 (880)	11.81	180.45	2130.49
ESX-10002T	1000 (1100)	1.97	225.14	443.01
ESX-10006T	1000 (1100)	5.91	225.14	1329.04
ESX-100012T	1000 (1100)	11.81	225.14	2658.08

Collapsed Height	Extended Height	Outside Diameter	Piston Diameter	Base Fixturing Holes			Weight	Model
				Bolt Circle	Thread	Thread Depth		
				U	V	Z		
in	in	in	in	in	mm	in	lbs	
6.38	8.35	5.08	2.76	2.56	M12	0.87	35.20	ESX-502
8.35	12.28	5.08	2.76	2.56	M12	0.87	41.80	ESX-504
10.31	16.22	5.08	2.76	2.56	M12	0.87	50.60	ESX-506
12.28	20.16	5.08	2.76	2.56	M12	0.87	57.20	ESX-508
14.25	24.09	5.08	2.76	2.56	M12	0.87	66.00	ESX-5010
16.22	28.03	5.08	2.76	2.56	M12	0.87	74.80	ESX-5012
7.05	9.02	6.50	3.74	3.74	M12	0.87	61.60	ESX-1002T
9.02	12.95	6.50	3.74	3.74	M12	0.87	74.80	ESX-1004T
10.98	16.89	6.50	3.74	3.74	M12	0.87	88.00	ESX-1006T
12.95	20.83	6.50	3.74	3.74	M12	0.87	101.20	ESX-1008T
14.92	24.76	6.50	3.74	3.74	M12	0.87	114.40	ESX-10010T
16.89	28.70	6.50	3.74	3.74	M12	0.87	127.60	ESX-10012T
7.72	9.69	8.11	4.53	5.12	M12	0.87	105.60	ESX-1502T
9.69	13.62	8.11	4.53	5.12	M12	0.87	125.40	ESX-1504T
11.65	17.56	8.11	4.53	5.12	M12	0.87	145.20	ESX-1506T
13.62	21.50	8.11	4.53	5.12	M12	0.87	165.00	ESX-1508T
15.59	25.43	8.11	4.53	5.12	M12	0.87	187.00	ESX-15010T
17.56	29.37	8.11	4.53	5.12	M12	0.87	206.80	ESX-15012T
8.35	10.31	9.29	5.31	6.50	M12	0.87	149.60	ESX-2002T
12.28	18.19	9.29	5.31	6.50	M12	0.87	204.60	ESX-2006T
18.19	30.00	9.29	5.31	6.50	M12	0.87	283.80	ESX-20012T
9.25	11.22	10.83	6.50	7.48	M12	0.98	228.80	ESX-2502T
13.19	19.09	10.83	6.50	7.48	M12	0.98	305.80	ESX-2506T
19.09	30.91	10.83	6.50	7.48	M12	0.98	422.40	ESX-25012T
12.28	14.25	12.20	7.68	7.09	M16	1.18	389.40	ESX-3002T
16.22	22.13	12.20	7.68	7.09	M16	1.18	490.60	ESX-3006T
22.13	33.94	12.20	7.68	7.09	M16	1.18	644.60	ESX-30012T
14.72	16.69	13.78	8.46	8.07	M16	1.18	594.00	ESX-4002T
18.66	24.57	13.78	8.46	8.07	M16	1.18	726.00	ESX-4006T
24.57	36.38	13.78	8.46	8.07	M16	1.18	926.20	ESX-40012T
16.50	18.46	15.75	9.84	9.84	M24	1.42	882.20	ESX-5002T
20.43	36.34	15.75	9.84	9.84	M24	1.42	1056.00	ESX-5006T
26.34	38.15	15.75	9.84	9.84	M24	1.42	1317.80	ESX-50012T
16.89	18.86	16.93	10.43	10.83	M24	1.42	1042.80	ESX-6002T
20.83	26.73	16.93	10.43	10.83	M24	1.42	1243.00	ESX-6006T
26.73	38.54	16.93	10.43	10.83	M24	1.42	1542.20	ESX-60012T
19.06	21.02	19.88	12.60	12.99	M24	1.42	1630.20	ESX-8002T
22.99	28.90	19.88	12.60	12.99	M24	1.42	1909.60	ESX-8006T
28.90	40.71	19.88	12.60	12.99	M24	1.42	2327.60	ESX-80012T
22.20	24.17	22.05	13.58	14.76	M24	1.42	2336.40	ESX-10002T
26.14	32.05	22.05	13.58	14.76	M24	1.42	2668.60	ESX-10006T
32.05	43.86	22.05	13.58	14.76	M24	1.42	3165.80	ESX-100012T

EDX SERIES

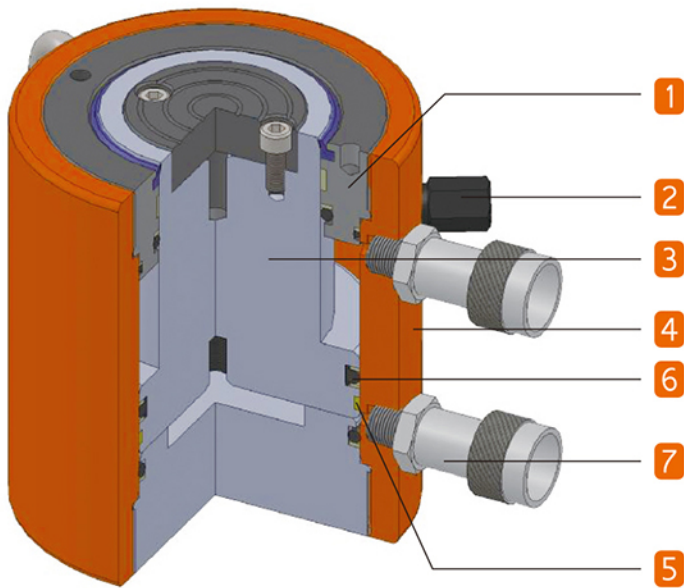
Double Acting, High Tonnage Cylinders



Shown from left to right:
EDX-1006T, EDX-1002T, EDX-2006T

Eagle Pro EDX series maximizes durability with the use of a high strength alloy steel. The built-in safety valve prevents accidental over-pressurization. The EDX is easy to carry and position with the included eyebolts. Optional tilt saddles are also available.

The hardened and chromed piston minimizes wear and corrosion damage. The incorporation of base mounting holes enables easy fixturing. An environmentally friendly coating process provides a highly durable finish. The EDX series comes with rugged, EAB-201A female ouplers, complete with heavy-duty dust covers, preventing dirt and debris from enter the hydraulic system.



✓ FEATURES

1. Hardened alloy steel guide ring eliminates over travel and provides support to reduce wear from off center loads.
2. Automatic safety valve prevents over-pressurization.
3. Hardened and chromed piston reduces wear and corrosion.
4. High strength alloy steel body is precision machined to reduce wear and features a baked enamel finish for durability and corrosion protection.
5. High strength composite bearings provide support for off center loads without damaging the cylinder walls.
6. Industrial style seal design prevents costly leaks.
7. Standard coupler provided with dust cover.

✓ ACCESSORIES

High Pressure Hydraulic Hoses



See page 48

Use with EV- 23 manually operated check valve for load holding



See page 52

Tilting saddles available to prevent off center loads from damaging cylinders



See page 53

Pressure gauges available to monitor system pressure



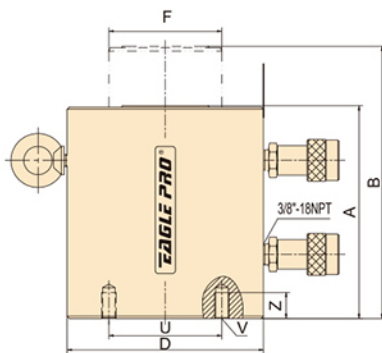
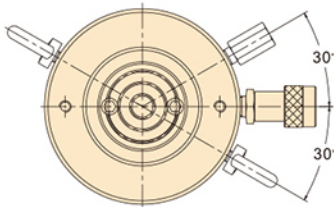
See page 54

80%

SAFETY FIRST!

Industry best practice recommendation is not to exceed 80% of maximum rated capacities of all our products.

EDX SERIES

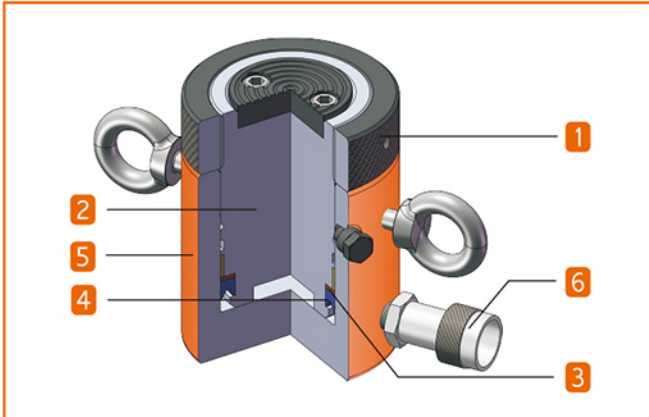


Model	Cylinder Capacity @ 10,000 Psi (700 Bar)	Stroke	Max. Cylinder Capacity		Cylinder Effective Area	
	Metric Ton(US Ton)		Advance	Retract	Advance	Retract
			in	US Ton	US Ton	in ²
EDX-502	50 (55)	1.97	58	28	11.69	5.72
EDX-504	50 (55)	3.94	58	28	11.69	5.72
EDX-506	50 (55)	5.91	58	28	11.69	5.72
EDX-508	50 (55)	7.87	58	28	11.69	5.72
EDX-5010	50 (55)	9.84	58	28	11.69	5.72
EDX-5012	50 (55)	11.81	58	28	11.69	5.72
EDX-1002T	100 (105)	1.97	102	48	20.57	9.59
EDX-1004T	100 (105)	3.94	102	48	20.57	9.59
EDX-1006T	100 (105)	5.91	102	48	20.57	9.59
EDX-1008T	100 (105)	7.87	102	48	20.57	9.59
EDX-10010T	100 (105)	9.84	102	48	20.57	9.59
EDX-10012T	100 (105)	11.81	102	48	20.57	9.59
EDX-1502T	150 (155)	1.97	154	75	31.16	15.05
EDX-1504T	150 (155)	3.94	154	75	31.16	15.05
EDX-1506T	150 (155)	5.91	154	75	31.16	15.05
EDX-1508T	150 (155)	7.87	154	75	31.16	15.05
EDX-15010T	150 (155)	9.84	154	75	31.16	15.05
EDX-15012T	150 (155)	11.81	154	75	31.16	15.05
EDX-2002T	200 (220)	1.97	203	97	41.60	19.47
EDX-2006T	200 (220)	5.91	203	97	41.60	19.47
EDX-20012T	200 (220)	11.81	203	97	41.60	19.47
EDX-2502T	250 (275)	1.97	279	115	56.28	23.13
EDX-2506T	250 (275)	5.91	279	115	56.28	23.13
EDX-25012T	250 (275)	11.81	279	115	56.28	23.13
EDX-3002T	300 (330)	1.97	348	118	70.12	23.82
EDX-3006T	300 (330)	5.91	348	118	70.12	23.82
EDX-30012T	300 (330)	11.81	348	118	70.12	23.82
EDX-4002T	400 (440)	1.97	425	145	85.48	29.20
EDX-4006T	400 (440)	5.91	425	145	85.48	29.20
EDX-40012T	400 (440)	11.81	425	145	85.48	29.20
EDX-5002T	500 (550)	1.97	563	185	113.24	37.14
EDX-5006T	500 (550)	5.91	563	185	113.24	37.14
EDX-50012T	500 (550)	11.81	563	185	113.24	37.14
EDX-6002T	600 (660)	1.97	659	234	132.57	47.06
EDX-6006T	600 (660)	5.91	659	234	132.57	47.06
EDX-60012T	600 (660)	11.81	659	234	132.57	47.06
EDX-8002T	800 (880)	1.97	896	277	180.45	59.63
EDX-8006T	800 (880)	5.91	896	277	180.45	59.63
EDX-80012T	800 (880)	11.81	896	277	180.45	59.63
EDX-10002T	1000 (1100)	1.97	1118	398	225.14	80.15
EDX-10006T	1000 (1100)	5.91	1118	398	225.14	80.15
EDX-100012T	1000 (1100)	11.81	1118	398	225.14	80.15

Oil Capacity		Collapsed Height	Extended Height	Outside Diameter	Piston Diameter	Base Fixturing Holes			Weight	Model
Advance	Retract					A	B	D		
in ³	in ³	in	in	in	in	in	mm	in	lbs	
23.00	11.25	6.38	8.35	5.08	2.76	2.56	2 X M12	0.87	35.20	EDX-502
45.99	22.51	8.35	12.28	5.08	2.76	2.56	2 X M12	0.87	41.80	EDX-504
68.99	33.76	10.31	16.22	5.08	2.76	2.56	2 X M12	0.87	50.60	EDX-506
91.99	45.02	12.28	20.16	5.08	2.76	2.56	2 X M12	0.87	57.20	EDX-508
114.99	56.27	14.25	24.09	5.08	2.76	2.56	2 X M12	0.87	66.00	EDX-5010
137.98	67.53	16.22	28.03	5.08	2.76	2.56	2 X M12	0.87	74.80	EDX-5012
40.47	18.88	7.05	9.02	6.50	3.74	3.74	2 X M12	0.87	61.60	EDX-1002T
80.95	37.76	9.02	12.95	6.50	3.74	3.74	2 X M12	0.87	74.80	EDX-1004T
121.42	56.64	10.98	16.89	6.50	3.74	3.74	2 X M12	0.87	88.00	EDX-1006T
161.89	75.52	12.95	20.83	6.50	3.74	3.74	2 X M12	0.87	101.20	EDX-1008T
202.37	94.40	14.92	24.76	6.50	3.74	3.74	2 X M12	0.87	114.40	EDX-10010T
242.84	113.28	16.89	28.70	6.50	3.74	3.74	2 X M12	0.87	127.60	EDX-10012T
61.31	29.65	7.72	9.69	8.11	4.73	5.12	2 X M12	0.87	105.60	EDX-1502T
122.61	59.29	9.69	13.62	8.11	4.73	5.12	2 X M12	0.87	125.40	EDX-1504T
183.92	88.94	11.65	17.56	8.11	4.73	5.12	2 X M12	0.87	145.20	EDX-1506T
245.22	118.58	13.62	21.50	8.11	4.73	5.12	2 X M12	0.87	165.00	EDX-1508T
306.53	148.23	15.59	25.43	8.11	4.73	5.12	2 X M12	0.87	187.00	EDX-15010T
367.83	177.88	17.56	29.37	8.11	4.73	5.12	2 X M12	0.87	206.80	EDX-15012T
81.98	38.34	8.35	10.31	9.29	5.31	6.50	3 X M12	0.87	149.60	EDX-2002T
245.95	115.02	12.28	18.19	9.29	5.31	6.50	3 X M12	0.87	204.60	EDX-2006T
491.90	230.03	18.19	30.00	9.29	5.31	6.50	3 X M12	0.87	283.80	EDX-20012T
110.75	45.51	9.25	11.22	10.83	6.50	7.48	3 X M12	0.98	228.80	EDX-2502T
332.24	136.52	13.19	19.09	10.83	6.50	7.48	3 X M12	0.98	305.80	EDX-2506T
664.47	273.04	19.09	30.91	10.83	6.50	7.48	3 X M12	0.98	422.40	EDX-25012T
137.98	46.88	12.28	14.25	12.20	7.68	7.09	3 X M16	1.18	389.40	EDX-3002T
413.95	140.64	16.22	22.13	12.20	7.68	7.09	3 X M16	1.18	490.60	EDX-3006T
827.89	281.27	22.13	33.94	12.20	7.68	7.09	3 X M16	1.18	644.60	EDX-30012T
168.21	57.49	14.72	16.69	13.78	8.46	8.07	3 X M16	1.18	594.00	EDX-4002T
504.62	172.48	18.66	24.57	13.78	8.46	8.07	3 X M16	1.18	726.00	EDX-4006T
1009.25	344.96	24.57	36.38	13.78	8.46	8.07	3 X M16	1.18	926.20	EDX-40012T
222.83	73.11	16.50	18.46	15.75	9.84	9.84	3 X M24	1.18	882.20	EDX-5002T
668.50	219.33	20.43	26.34	15.75	9.84	9.84	3 X M24	1.42	1056.00	EDX-5006T
1337.00	438.65	26.34	38.15	15.75	9.84	9.84	3 X M24	1.42	1317.80	EDX-50012T
260.87	92.66	16.89	18.86	16.93	10.43	10.83	3 X M24	1.42	1042.80	EDX-6002T
782.60	277.98	20.83	26.73	16.93	10.43	10.83	3 X M24	1.42	1243.00	EDX-6006T
1565.20	555.95	26.73	38.54	16.93	10.43	10.83	3 X M24	1.42	1542.20	EDX-60012T
355.08	109.77	19.06	21.02	19.88	12.60	12.99	3 X M24	1.42	1630.20	EDX-8002T
1065.24	329.31	22.99	28.90	19.88	12.60	12.99	3 X M24	1.42	1909.60	EDX-8006T
2130.49	658.62	28.90	40.71	19.88	12.60	12.99	3 X M24	1.42	2327.60	EDX-80012T
443.01	157.81	22.20	24.17	22.05	13.58	14.76	3 X M24	1.42	2336.40	EDX-10002T
1329.04	473.42	26.14	32.05	22.05	13.58	14.76	3 X M24	1.42	2668.60	EDX-10006T
2658.08	946.84	32.05	43.86	22.05	13.58	14.76	3 X M24	1.42	3165.80	EDX-100012T

EL SERIES

Single Acting Lock Nut Cylinders



✓ FEATURES

1. High strength steel lock nut.
2. Hardened, chromed piston reduces wear and corrosion.
3. High strength composite bearing provides support for off center loads without damaging the cylinder walls.
4. Industrial U-cup style seal prevents costly leaks.
5. High strength alloy steel body is precision machined to reduce wear and features a baked enamel finish for durability and corrosion protection.
6. Standard coupler provided with dust cover.



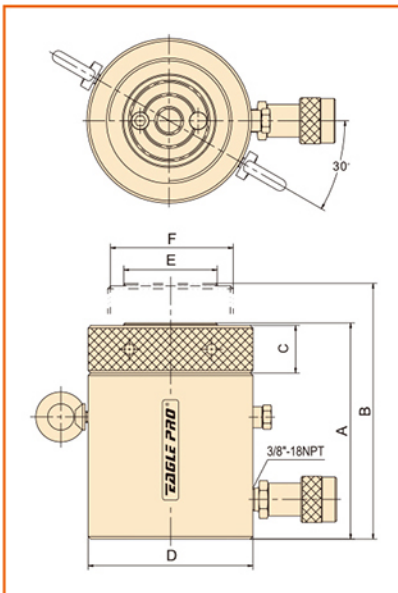
EL-1502T, EL-1506T

The Eagle Pro EL series includes an alloy steel lock nut for mechanical load holding. The EL series is constructed of a high strength alloy steel to maximize durability. The hardened chrome piston reduces damage caused from wear and corrosion. The over flow port functions as a stroke limiter.

The EL series includes hardened grooved replaceable saddles. Composite bearings prevent metal-to-metal contact. An environmentally friendly coating process produces a finish that further increases durability. The included rugged, EAB-201A female coupler includes a dust cover to prevent dirt and debris from entering the hydraulic system. The Eagle Pro EL series complies with ASME B30.1 standards.

80% SAFETY FIRST!

Industry best practice recommendation is not to exceed 80% of maximum rated capacities of all our products.




✓ ACCESSORIES

High Pressure Hydraulic Hoses



See page 48

Use with EV- 23 manually operated check valve for load holding



See page 52

Pressure gauges available to monitor system pressure



See page 54

Tilting saddles available to prevent off center loads from damaging cylinders



See page 53

Model	Cylinder Capacity @ 10,000 Psi (700 Bar)	Stroke	Cylinder Effective Area	Oil Capacity	Collapsed Height	Extended Height	Lock Nut Thickness	Outside Diameter	Saddle Diameter	Piston Diameter	Weight
	Metric Ton(US Ton)				A	B					
		in	in ²	in ³	in	in	in	in	in	mm	lbs
EL-502	50 (55)	1.97	10.99	21.62	6.45	8.41	1.41	4.91	2.79	TR95 X 4	33.00
EL-504	50 (55)	3.93	10.99	43.25	8.41	12.34	1.41	4.91	2.79	TR95 X 4	44.00
EL-506	50 (55)	5.90	10.99	64.87	10.38	16.27	1.41	4.91	2.79	TR95 X 4	55.00
EL-508	50 (55)	7.86	10.99	86.50	12.34	20.20	1.41	4.91	2.79	TR95 X 4	66.00
EL-5010	50 (55)	9.83	10.99	108.12	14.31	24.13	1.41	4.91	2.79	TR95 X 4	77.00
EL-5012	50 (55)	11.79	10.99	129.75	16.27	28.06	1.41	4.91	2.79	TR95 X 4	88.00
EL-1002	100 (105)	1.97	20.57	40.47	7.35	9.31	1.73	6.5	2.79	TR130 X 6	66.00
EL-1004	100 (105)	3.93	20.57	80.95	9.31	13.24	1.73	6.5	2.79	TR130 X 6	85.80
EL-1006	100 (105)	5.90	20.57	121.42	11.28	17.17	1.73	6.5	2.79	TR130 X 6	105.60
EL-1008	100 (105)	7.86	20.57	161.89	13.24	21.10	1.73	6.5	2.79	TR130 X 6	123.20
EL-10010	100 (105)	9.83	20.57	202.37	15.21	25.03	1.73	6.5	2.79	TR130 X 6	140.80
EL-10012	100 (105)	11.79	20.57	242.84	17.17	28.96	1.73	6.5	2.79	TR130 X 6	160.60
EL-1502T	150 (155)	1.97	31.17	61.34	8.21	10.18	1.73	5.08	5.11	TR160 X 6	116.60
EL-1504T	150 (155)	3.93	31.17	122.67	10.18	14.11	1.73	5.08	5.11	TR160 X 6	145.20
EL-1506T	150 (155)	5.90	31.17	184.01	12.14	18.04	1.73	5.08	5.11	TR160 X 6	171.60
EL-1508T	150 (155)	7.86	31.17	245.34	14.11	21.97	1.73	5.08	5.11	TR160 X 6	202.40
EL-15010T	150 (155)	9.83	31.17	306.68	16.07	25.90	1.73	5.08	5.11	TR160 X 6	228.80
EL-15012T	150 (155)	11.79	31.17	368.01	18.04	29.83	1.73	5.08	5.11	TR160 X 6	257.40
EL-2002T	200 (220)	1.97	41.66	81.98	9.55	11.51	1.97	5.08	5.11	TR185 X 6	182.60
EL-2006T	200 (220)	5.90	41.66	245.95	13.48	19.37	1.97	5.08	5.11	TR185 X 6	259.60
EL-20010T	200 (220)	9.83	41.66	409.92	17.41	27.23	1.97	5.08	5.11	TR185 X 6	336.60
EL-2502T	250 (275)	1.97	56.28	110.75	10.59	12.56	2.20	10.87	5.90	TR215 X 6	255.20
EL-2506T	250 (275)	5.90	56.28	332.24	14.53	20.43	2.20	10.87	5.90	TR215 X 6	358.60
EL-25010T	250 (275)	9.83	56.28	553.73	18.46	28.3	2.20	10.87	5.90	TR215 X 6	462.00
EL-3002T	300 (330)	1.97	70.12	137.98	11.59	13.56	2.36	12.18	5.46	TR240 X 6	380.60
EL-3006T	300 (330)	5.90	70.12	413.95	15.52	21.42	2.36	12.18	5.46	TR240 X 6	512.60
EL-30010T	300 (330)	9.83	70.12	689.91	19.45	29.28	2.36	12.18	5.46	TR240 X 6	644.60
EL-4002T	400 (440)	1.97	85.48	168.21	13.17	15.13	2.75	13.76	6.25	TR265 X 6	552.20
EL-4006T	400 (440)	5.90	85.48	504.62	17.10	22.99	2.75	13.76	6.25	TR265 X 6	719.40
EL-40010T	400 (440)	9.83	85.48	841.04	21.03	30.85	2.75	13.76	6.25	TR265 X 6	886.60
EL-5002T	500 (550)	1.97	113.18	222.71	14.74	16.70	3.14	15.72	7.03	TR305 X 6	807.40
EL-5006T	500 (550)	5.90	113.18	668.13	18.67	24.56	3.14	15.72	7.03	TR305 X 6	1027.40
EL-50010T	500 (550)	9.83	113.18	1113.56	22.60	32.42	3.14	15.72	7.03	TR305 X 6	1249.60
EL-6002T	600 (660)	1.97	132.51	260.74	15.52	17.49	3.34	16.90	7.62	TR330 X 6	983.40
EL-6006T	600 (660)	5.90	132.51	782.23	19.45	25.35	3.34	16.90	7.62	TR330 X 6	1238.60
EL-60010T	600 (660)	9.83	132.51	1303.72	23.38	33.21	3.34	16.90	7.62	TR330 X 6	1496.00
EL-8002T	800 (880)	1.97	180.36	354.90	17.88	19.85	3.93	19.85	8.80	TR385 X 6	1564.20
EL-8006T	800 (880)	5.90	180.36	1064.69	21.81	27.71	3.93	19.85	8.80	TR385 X 6	1916.20
EL-80010T	800 (880)	9.83	180.36	1774.49	25.74	35.57	3.93	19.85	8.80	TR385 X 6	2268.20
EL-10002T	1000 (1100)	1.97	224.98	772.71	19.45	21.42	4.32	22.01	9.79	TR430 X 6	2092.20
EL-10006T	1000 (1100)	5.90	224.98	1328.12	23.38	29.28	4.32	22.01	9.79	TR430 X 6	2514.60
EL-100010T	1000 (1100)	9.83	224.98	2213.54	27.31	37.14	4.32	22.01	9.79	TR430 X 6	2937.00

ESP SERIES

Pull Cylinders



80% SAFETY FIRST!
 Industry best practice recommendation is not to exceed 80% of maximum rated capacities of all our products.

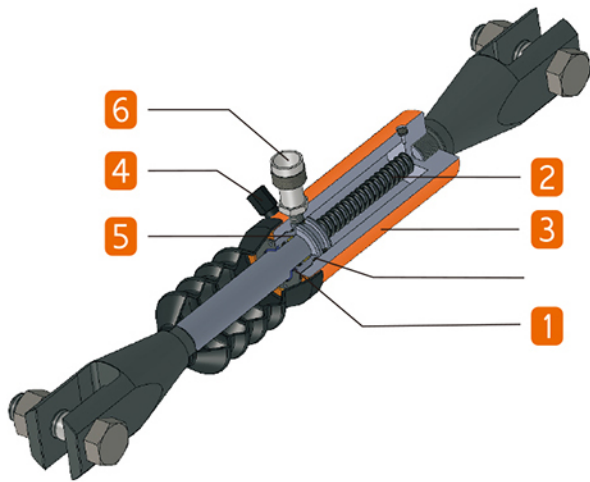


Shown from left to right:
 ESP-106C, ESP-106L, ESP-25, ESP-46, ESP-606

The Eagle Pro ESP series is constructed of high strength alloy steel to maintain durability. The hardened and chromed piston extends the life of the cylinder through the reduction of wear and corrosion damage. Retraction times are fast due to heavy-duty straight pull return springs. Accidental over-extension is prevented with a built-in safety valve. The ESP series features an enamel finish that increases protection from corrosion. A dust cover is included with the rugged, EAB-201A female coupler.

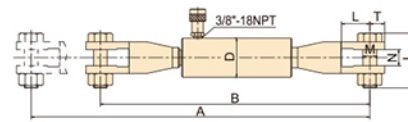
Model	Cylinder Capacity @ 10,000 Psi (700 Bar)	Stroke	Cylinder Effective Area	Oil Capacity	Extended Height	Collapsed Height	Outside Diameter	Piston Diameter	Top To Inlet Port			
	Metric Ton(US Ton)				A	B				D	F	H
					in	in				in	in	in
ESP-25	2.5 (2.75)	5.00	0.61	3.04	15.39	10.39	1.95	0.79	1.77			
ESP-46	5 (5.5)	5.51	1.16	6.41	17.36	11.85	2.25	1.18	1.65			
ESP-106	10 (11)	5.94	2.19	13.02	17.32	11.38	3.35	1.38	1.54			

Model	Cylinder Capacity @ 10,000 Psi (700 Bar)	Stroke	Cylinder Effective Area	Oil Capacity	Extended Height	Collapsed Height	Outside Diameter	Link Width	
	Metric Ton(US Ton)				A	B		D	J
					in	in		in	in
ESP-106C	10 (11)	5.94	2.19	13.02	29.06	23.11	3.35	4.69	
ESP-106L	10 (11)	5.94	2.19	13.02	27.24	21.30	3.35	2.52	
ESP-306	30 (33)	6.10	7.40	45.11	48.82	42.72	5.35	4.49	
ESP-606	50 (55)	5.98	11.05	66.11	34.29	28.31	5.51	5.12	

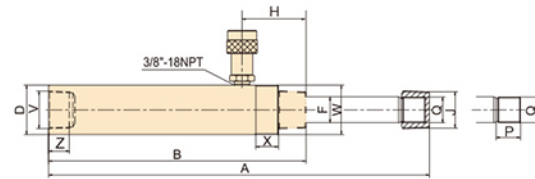


✓ FEATURES

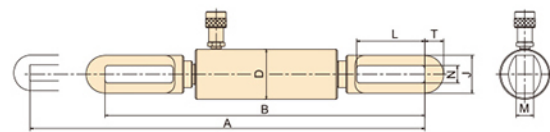
1. Industrial wiper ring reduces dirt and debris contamination.
2. High strength return spring.
3. High strength alloy steel construction for increased durability.
4. Built-in safety valve prevents over ram over extension.
5. High strength composite bearing provides support for center loads without damaging the cylinder walls.
6. Rugged, EAB-201A Female coupler with dust cover provided.



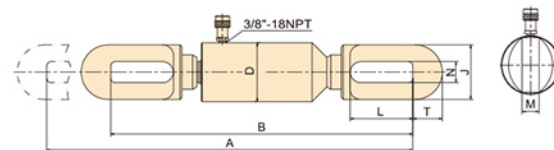
ESP-106C



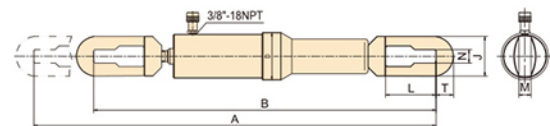
ESP-25 ESP-46 ESP-106



ESP-106L



ESP-606



ESP-306

Saddle Diameter	Piston Thread Length	Piston Diameter	Base Mounting Hole	Collar Thread	Collar Thread Length	Base Mounting Hole Thread Length	Weight	Model
J	P	Q	V	W	X	Z	lbs	
in	in	in	in	in	in	in		
3/4 - 14	0.87	1-1/16 - 24	3/4 - 14NPT	1-1/2 - 16UN	1.06	0.67	3.96	ESP-25
1-1/4 - 11-1/2	1.10	1-3/16 - 16	1-1/4 - 11-1/2NPT	2-1/4 - 14UN	1.02	0.94	9.9	ESP-46
-	0.79	M30 X 2	M30 X 2	M85 X 2	0.98	1.06	20.9	ESP-106

Link Length	Link Bolt Diameter	Link Opening Width	Link End Width	Weight	Model
L	M	N	T	lbs	
in	in	in	in		
2.44	1.18	1.38	1.26	35.20	ESP-106C
4.53	0.87	1.18	1.26	29.26	ESP-106L
5.71	1.38	1.54	1.97	106.04	ESP-306
5.87	1.57	1.97	2.76	117.92	ESP-606

HYDRAULIC PUMP AND CYLINDER SETS



✓ FEATURES

- Each set comes with a 6 ft hose, high flow coupler, gauge, and gauge adapter.
- Low weight, high flow, two speed hand pumps for efficient operation.
- Cylinders can be used in multiple applications.
- Heavy duty carrying and storage case Included.

Single acting/Spring return cylinder Sets

Model	Cylinder Capacity @ 10,000 Psi (700 Bar)	Stroke in	Collapsed Height in	Cylinder
	Metric Ton (US Ton)			
ESS-55A	5 (5.5)	5	8.5	ES-55
ESS-102A	10 (11)	2.13	4.76	ES-102
ESS-106A	10(11)	6.14	9.76	ES-106
ESS-1010A	10 (11)	10.12	13.74	ES-1010
ESS-154A	15 (16.5)	4.02	7.87	ES-154
ESS-156A	15 (16.5)	5.98	10.71	ES-156
ESS-252A	25 (27.5)	2.01	6.5	ES-252
ESS-256A	25 (27.5)	6.26	10.75	ES-256
ESS-2514A	25 (27.5)	14.25	18.74	ES-2514
ESS-506A	50 (55)	6.26	11.14	ES-506

Hollow center cylinder sets

Model	Cylinder Capacity @ 10,000 Psi (700 Bar)	Stroke in	Collapsed Height in	Cylinder
	Metric Ton (US Ton)			
ESSH-121A	13 (14.3)	1.65	4.72	ESH-121
ESSH-202A	20 (22)	1.93	6.38	ESH-202
ESSH-302A	30 (33)	2.52	7.05	ESH-302
ESSH-306A	30 (33)	6.1	12.99	ESH-306
ESSH-603A	60 (66)	2.99	9.72	ESH-603

Low height Cylinder Sets

Model	Cylinder Capacity @ 10,000 Psi (700 Bar)	Stroke in	Collapsed Height in	Cylinder
	Metric Ton (US Ton)			
ESSL-101A	10 (11)	1.5	3.46	ESL-101
ESSL-201A	20 (22)	1.73	3.9	ESL-201
ESSL-302A	30 (33)	2.44	4.65	ESL-302
ESSL-502A	50 (55)	2.36	4.8	ESL-502
ESSL-1002Av	100 (102.2)	2.24	5.55	ESL-1002

Spreader Kits

Model	Cylinder Capacity @10,000 PSI (700bar)	Tip Clearance in	Maximum Spread Distance in	Spreader
	Metric Ton			
EHSS-1A	1	0.47	3.94	EHS-1A



ESSH-306A

Pump	Hose	Gauge	Gauge Adapter	Model
EPA-10521	EH-6206C	EG-2510A	EGA-100	ESS-55A
EPA-10921A	EH-6206C	EG-4010	EGA-101	ESS-102A
EPA-10921A	EH-6206C	EG-4010	EGA-101	ESS-106A
EPA-10921A	EH-6206C	EG-4010	EGA-101	ESS-1010A
EPA-10921A	EH-6206C	EG-4010	EGA-101	ESS-154A
EPA-10921A	EH-6206C	EG-4010	EGA-101	ESS-156A
EPA-10921A	EH-6206C	EG-4010	EGA-101	ESS-252A
EPA-10921A	EH-6206C	EG-4010	EGA-101	ESS-256A
EPA-12321A	EH-6206C	EG-4010	EGA-101	ESS-2514A
EPA-12321A	EH-6206C	EG-4010	EGA-101	ESS-506A

Pump	Hose	Gauge	Gauge Adapter	Model
EPA-10521	EH-6206TC	EG-2510A	EGA-100	ESSH-121A
EPA-10921A	EH-6206C	EG-4010	EGA-101	ESSH-202A
EPA-10921A	EH-6206C	EG-4010	EGA-101	ESSH-302A
EPA-12321A	EH-6206C	EG-4010	EGA-101	ESSH-306A
EPA-12321A	EH-6206C	EG-4010	EGA-101	ESSH-603A

Pump	Hose	Gauge	Gauge Adapter	Model
EPA-10521	EH-6206C	EG-2510A	EGA-100	ESSL-101A
EPA-10921A	EH-6206C	EG-4010	EGA-101	ESSL-201A
EPA-10921A	EH-6206C	EG-4010	EGA-101	ESSL-302A
EPA-10921A	EH-6206C	EG-4010	EGA-101	ESSL-502A
EPA-12321A	EH-6206C	EG-4010	EGA-101	ESSL-1002A

Pump	Hose	Pressure Gauge	Gauge Adapter	Model
EPA-10521	EH-6206C	EG-2510A	EGA-101	EHSS-1

EPA SERIES

Dual Speed Hand Pumps



EPA-10521

EPA-10921C



EPA-10921A



EPA-12321A



EPA-12322A

The Eagle Pro EPA series hydraulic hand pumps are some of the most durable, powerful and reliable hand pumps in the industry today.

The EPA series feature valve blocks that are machined from a single piece of high strength aircraft grade aluminum and high capacity reservoirs made from alloy steel* that maximizes durability.

The EPA series hand pumps are compact and easy to carry around the job site. To get the job done faster, these powerful dual speed pumps offer some of the best flow rates in the industry. All of the EPA series hydraulic hand pumps feature an internal safety valve to prevent system damage.

*EPA-10521&EPA-10921C feature aluminum valve blocks and reservoirs.



Model	Cylinder Type	Speed	Usable Oil Volume	Pressure Rating		Oil Output Per Stroke		Handle Force	Output Port Thread	Weight
				1 st stage	2 nd stage	1 st stage	2 nd stage			
				psi	psi	in ³	in ³			
EPA-10521*	Single Acting	Two	20	200	10,000	0.48	0.05	77	3/8-18NPT	4.8
EPA-10921A	Single Acting	Two	55	360	10,000	2.04	0.20	114	3/8-18NPT	16
EPA-10921C*	Single Acting	Two	55	360	10,000	2.04	0.20	95	3/8-18NPT	13
EPA-12321A	Single Acting	Two	140	360	10,000	2.04	0.20	114	3/8-18NPT	22
EPA-14521	Single Acting	Two	275	360	10,000	1.59	0.18	112	3/8-18NPT	49.5
EPA-17521	Single Acting	Two	458	217	10,000	7.6	0.35	112	3/8-18NPT	66

Model	A	B	C	D	E	F	G	H
	in	in	in	in	in	in	in	in
EPA-10521	14.74	11.40	1.38	3.14	4.30	2.63	3.03	5.60
EPA-10921A	22.89	19.87	1.85	4.24	5.10	3.22	3.22	6.50
EPA-10921C	20.67	17.66	1.85	4.26	5.10	3.55	3.15	6.23
EPA-12321A	23.20	-	1.85	4.72	5.40	-	3.22	6.34
EPA-14521	22.80	23.90	6.40	10.80	12.40	9.80	-	10.50
EPA-17521	31.50	35.60	8.30	10.80	12.40	9.80	-	12.40



EPA- 14521



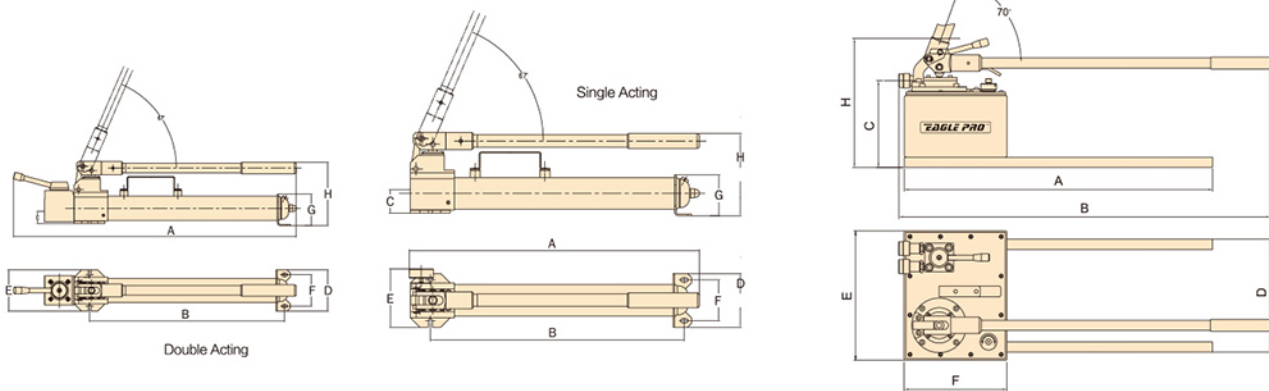
EPA-17521



EPA- 14522



EPA-17522



Model	Cylinder Type	Speed	Usable Oil Volume	Pressure rating		Oil output per stroke		Handle Force	Output Oil Thread	Weight
				1 st stage	2 nd stage	1 st stage	2 nd stage			
				in ³	psi	psi	in ³			
EPA-10922A	Double Acting	Two	55	360	10,000	2.04	0.20	108	3/8-18NPT	19.36
EPA-12322A	Double Acting	Two	140	360	10,000	2.04	0.20	108	3/8-18NPT	25.52
EPA-14522	Double Acting	Two	275	360	10,000	1.59	0.18	112	3/8-18NPT	49.5
EPA-17522	Double Acting	Two	458	217	10,000	7.6	0.35	112	3/8-18NPT	66

Model	A	B	C	D	E	F	G	H
	in	in	in	in	in	in	in	in
EPA-10922A	29.04	19.87	1.14	4.24	4.20	3.22	3.22	6.50
EPA-12322A	29.04	-	1.14	4.91	4.20	-	3.22	6.34
EPA-14522	22.80	23.90	6.40	10.80	12.40	9.80	-	10.50
EPA-17522	31.50	35.60	8.30	10.80	12.40	9.80	-	12.40



EPC-010

EPC-001

EPC-002

EPC SERIES

Air Hydraulic Pumps



The Eagle Pro EPC Series Air/Hydraulic pumps feature an efficient pump and heavy-duty air motor design. Risk of contamination damage is minimized as pumps feature both air and oil filters. Several types of reservoir materials are available to suit the application. The built in air exhaust muffler quiets operation. All Eagle Pro EPC series Air/Hydraulic pumps feature an internal load limiting valve to prevent system damage.

Model	Cylinder Type	Pressure Rating (PSI)	Air Pressure (PSI)	Air Volume (CFM)	Usable Oil Volume in ³	Flow(cu.in/min)	
						No load in ³	Load in ³
EPC-001	SINGLE ACTING	10,000	90 - 145	11	140	49.50	7.60
EPC-002	SINGLE ACTING	10,000	90 - 145	11	98	49.50	7.60
EPC-003	SINGLE ACTING	10,000	90 - 145	11	275	49.50	7.60
EPC-004	SINGLE ACTING	10,000	90 - 145	11	442	49.50	7.60
EPC-008	SINGLE ACTING	10,000	90 - 145	11	98	49.50	7.60
EPC-009	SINGLE ACTING	10,000	90 - 145	11	442	49.50	7.60
EPC-010	SINGLE ACTING	10,000	90 - 145	11	98	49.50	7.60
EPC-200	SINGLE ACTING	10,000	90 - 145	11	30.5	43.00	7.60



EPC-009



EPC-004



EPC-200



EPC-003



EPC-008

Valve Function	Dimensions(in.)			Reservoir material	Control Type	Weight lbs
	A	B	C			
2W/2P	12.3	6.7	7.5	PLASTIC	FOOT PEDAL	26
2W/2P	10.4	5.4	7.3	ALUMINUM	FOOT PEDAL	19
2W/2P	12.5	7.0	7.5	STEEL	FOOT PEDAL	28
2W/2P	11.0	8.8	10.0	STEEL	FOOT PEDAL	36
2W/2P	10.3	5.3	7.3	ALUMINUM	REMOTE CONTROL	25
2W/2P	11.0	8.9	10.8	STEEL	REMOTE CONTROL	43
2W/2P	11.0	8.9	10.8	PLASTIC	FOOT PEDAL	19
2W/2P	17.7	6.1	5.7	ALUMINUM	FOOT PEDAL	13

EPD SERIES

Gas Hydraulic Pumps



EPD-1008A

Eagle Pro EPD series gasoline powered hydraulic pumps allow you to use hydraulics as a work force multiplier in even the remotest locations. Powered by an industry first, Subaru OHC 5.5 HP engine.

We don't have to tell you that high pressure hydraulic equipment has to be tough stuff. Its' tossed around in the back of pickups, thrown on trailers, and shoved into dirty storage areas when the job is complete, and still expected to power through the next job. Subaru's EA Series engines are engineered and built specifically for demanding applications and extreme conditions encountered by high force hydraulic equipment. The EA series motor offers easier starts, quieter operation and more power than anything in its class. Featuring advanced chain-driven overhead cam (OHC) technology and their impressive 3-year warranty, it's an easy choice for demanding work environments.



Model	Cylinder Type	Description	Usable Oil Volume	Flow At Rated Pressure	
			(Gallon)	First Stage (In ³ /min)	Second Stage (In ³ /min)
EPD-1008A	Single Acting	GAS POWERED HYD PUMP, 5.5HP, 5 GALLON RESERVOIR, 3P/3W, MANUAL VALVE, AND ROLL CAGE	5	520	100
EPD-1005A	Double Acting	GAS POWERED HYD PUMP, 5.5HP, 5 GALLON RESERVOIR, 3P/4W, MANUAL VALVE AND ROLL CAGE	5	520	100



EPD-1005A



Hardened steel timing chain reduces maintenance and noise levels. EA engines operate a full 2dBA quieter in exhaust tone than competitors



Quality components like heavy duty piston rings and a cast iron cylinder liner enhance durability



Uniquely positioned intake/exhaust valves optimize the intake and exhaust ports, and lower the resistance of the air/fuel flow for added power and fuel efficiency, as well as lower emissions for added power and fuel efficiency.

Pressure Rating		Valve	Valve Type	Valve Function	Engine	Oil Output Thread	Weight (Without Oil)
First Stage (In ³ /min)	Second Stage (In ³ /min)				(HP)		(LBS)
1450	10,000	EV-43M3A	3W, 3P	ADVANCE/HOLD/RETURN	5.5	3/8" - 18 NPT	132
1450	10,000	EV-43M4E	4W, 3P	ADVANCE/HOLD/RETURN	5.5	3/8" - 18 NPT	132

EPB SERIES

Electric Pumps

The Eagle Pro EPB series of electric hydraulic pumps feature various flow rates from 17 in³/min, 50in³/min, 100in³/min. Industrial strength TEFC (Totally Enclosed, Fan Cooled) induction motors provide performance and reliability when needed.

Operator safety is crucial, all single phase EPB pumps come standard with a low voltage remote control. The EPB series pumps start under full load.

Standard reservoirs are available in 1.3 gallon, 2.1 gallon, or 5.3 gallon sizes. If the application requires a larger reservoir, accessory large reservoir bolt on kits are available up to 20 gallons depending on the pump model. Roll cage kits and an external adjustable valve pressure regulator are available to increase the protection and performance of the pump.



EPB-171A



EPB-175A



Model	Cylinder Type	Usable Oil Volume		Flow Rate		Flow Rate	
		gal	in ³	1st Stage	2nd Stage	1st Stage	2nd Stage
				in ³	in ³	PSI	PSI
EPB-171A	SINGLE ACTING	1.3	300.3	275	17	435	10,000
EPB-1710A	DUMP	1.3	300.3	275	17	435	10,000
EPB-175A	DOUBLE ACTING	1.3	300.3	275	17	435	10,000
EPB-508A	SINGLE ACTING	2.1	485.1	550	50	725	10,000
EPB-502SA	SINGLE ACTING	2.1	485.1	427	50	725	10,000
EPB-505A	DOUBLE ACTING	2.1	485.1	550	50	725	10,000
EPB-504SA	DOUBLE ACTING	2.1	485.1	427	50	725	10,000
EPB-1008C	SINGLE ACTING	5.3	1224.3	610	100	1450	10,000
EPB-1005C	DOUBLE ACTING	5.3	1224.3	610	100	1450	10,000

** Advance Position Holds Pressure When Motor Is Shut Off



EPB-508A



EPB-505A



EPB-504SA



EPB-1005C

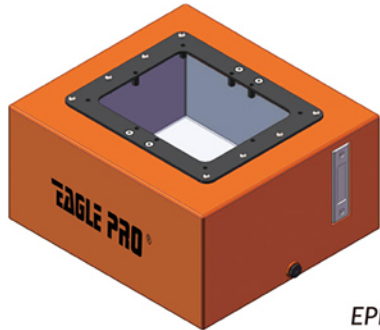


EPB-1008C

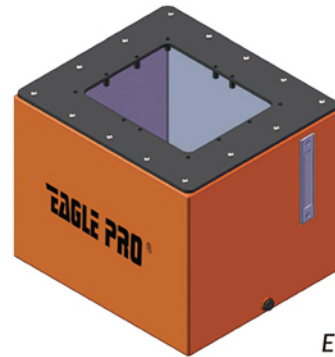
Valve	Valve Type	Valve Function	Control Type	Motor	Net Weight with oil (lbs)
EV-42H3A	3W, 2P	ADVANCE/RETURN**	PENDANT CONTROL (10FT)	0.5HP, 115V/60HZ	57
EV-61H2C	2W, 2P	ADVANCE/RETURN	PENDANT CONTROL (10FT)	0.5HP, 115V/60HZ	57
EV-43M4E	4W, 3P	ADVANCE/HOLD/RETURN	PENDANT CONTROL (10FT)	0.5HP, 115V/60HZ	57
EV-43M3A	3W, 3P	ADVANCE/HOLD/RETURN	PENDANT CONTROL (10FT)	1.5HP, 115V 60HZ	70
EV-52M2	2W, 2P	ADVANCE/RETURN**	PENDANT CONTROL (10FT)	1.5HP, 115V 60HZ	70
EV-43M4E	4W, 3P	ADVANCE/HOLD/RETURN	PENDANT CONTROL (10FT)	1.5HP, 115V 60HZ	70
EV-52H4B	4W, 2P	ADVANCE/RETURN**	PENDANT CONTROL (10FT)	1.5HP, 115V 60HZ	70
EV-43M3A	3W, 3P	ADVANCE/HOLD/RETURN	-	3HP, 3 PH 230V/60HZ	120
EV-43M4E	4W, 3P	ADVANCE/HOLD/RETURN	-	3HP, 3 PH 230V/60HZ	120

EPB SERIES ELECTRIC PUMP ACCESSORIES

Large Oil Reservoir Kits



EPB-5020LRK



EPB-5040LRK

Oil Reservoir Kits Model	Electric Pump Model	Standard Oil Capacity	Description	Material
EPB-1708LRK	EPB-17 series	1.3 Gallon/5L	2.1 Gallon/8L RESERVOIR KITS FOR EPB-17 SERIES	Aluminium
EPB-5020LRK	EPB-50 series	2.1 Gallon/8L	5.3 Gallon/20L RESERVOIR KITS FOR EPB-50 SERIES	Aluminium
EPB-5040LRK			10 Gallon/40L RESERVOIR KITS FOR EPB-50 SERIES	Steel
EPB-10040LRK	EPB-100 series	5.3 Gallon/20L	10 Gallon/40L RESERVOIR KITS FOR EPB-100 SERIES	Steel
EPB-10080LRK			20 Gallon/80L RESERVOIR KITS FOR EPB-100 SERIES	Steel

Roll Cages



EPB-5040RC



EPB-5020RC



Model:EV-30 Optional external adjustable valve.Valve mounted accessory allows hydraulic pressure to be adjusted externally.

Roll Cage Model	Electric Pump Model	Standard Oil Capacity	Description	Material
EPB-175 RC	EPB-17 series	1.3 Gallon/5L	ROLL CAGE KIT FOR EPB-17 SERIES,1.3Gallon/5L RESERVOIR	Steel
EPB-178 RC			ROLL CAGE KIT FOR EPB-17 SERIES,2.1Gallon/8L RESERVOIR	Steel
EPB-508 RC			ROLL CAGE KIT FOR EPB-50 SERIES,2.1Gallon/8L RESERVOIR	Steel
EPB-5020 RC	EPB-50 series	2.1 Gallon/8L	ROLL CAGE KIT FOR EPB-50 SERIES,5.3Gallon/20L RESERVOIR	Steel
EPB-5040 RC			ROLL CAGE KIT FOR EPB-50 SERIES,10Gallon/40L RESERVOIR	Steel
EPB-10020 RC	EPB-100 series	5.3 Gallon/20L	ROLL CAGE KIT FOR EPB-100 SERIES,5.3Gallon/20L RESERVOIR	Steel
EPB-10040 RC			ROLL CAGE KIT FOR EPB-100 SERIES,10Gallon/40L RESERVOIR	Steel
EPB-10080 RC			ROLL CAGE KIT FOR EPB-100 SERIES,20Gallon/80L RESERVOIR	Steel

EHS SERIES

Hydraulic Spreaders

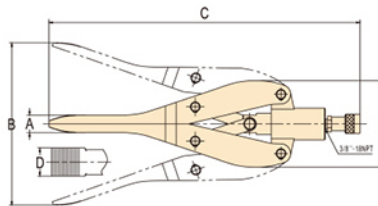
The Eagle Pro EHS series uses a single acting, spring return cylinder that allows jaws to retract automatically once pressure is released. A high strength, alloy steel jaw maintains durability and life of the product while getting the job done. A dust cover is included with the rugged, EAB-201A female coupler. The Eagle Pro EHS series complies with ANSI/ASME B30.1 standards.



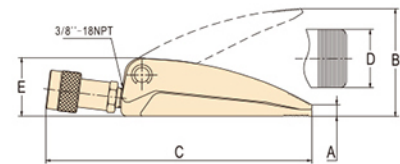
EHS-075

EHS-1

80% SAFETY FIRST!
Industry best practice recommendation is not to exceed 80% of maximum rated capacities of all our products.



EHS-075

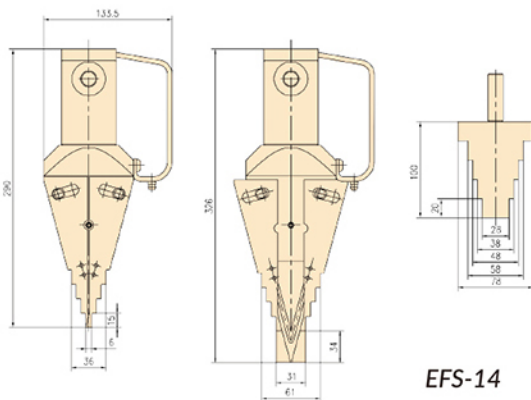


EHS-1

EFS SERIES

Hydraulic Spreaders

Using a high strength, alloy steel jaw to maintain durability and life of the product, the Eagle Pro EFS series gets the job done. Parallel wedge movement reduces potential flange damage and spreader failure. Each step of the spreader wedge can spread under full load. The EFS-14 uses a single acting; spring return cylinder to allow jaws to retract automatically the moment pressure is released. A safety wedge is included, and the cylinder features a rugged, EAB-201A female coupler complete with dust cover to prevent dirt and debris from entering the hydraulic system. The Eagle Pro EFS series complies with ANSI/ASME B30.1 standards.



EFS-14

EFS-14



Model	Capacity @ 10,000 Psi (700 Bar)	Oil Capacity	Tip Clearance	Maximum Spread Distance	Cylinder Effective Area	Dimensions			Weight
	US Ton					C	D	E	
		in ³	IN/A	IN/B	in ²	IN	IN	IN	LBS
EHS-1A	1	0.83	0.47	3.94	1.00	9.09	2.20	2.20	5.50
EHS-075	0.75	3.36	1.26	11.50	2.25	22.00	2.00	6.18	27.50
EFS-14	14	4.78	0.24	3.19	2.25	11.40	2.62	5.26	15.80

EHP SERIES

Hydraulic Punches

The Eagle Pro EHP series hydraulic punches allow for precise hole punching operations that are much quicker than drilling. The EHP-35 features a single acting, spring retrain cylinder for quick operation and can punch holes up to 0.81" in diameter.

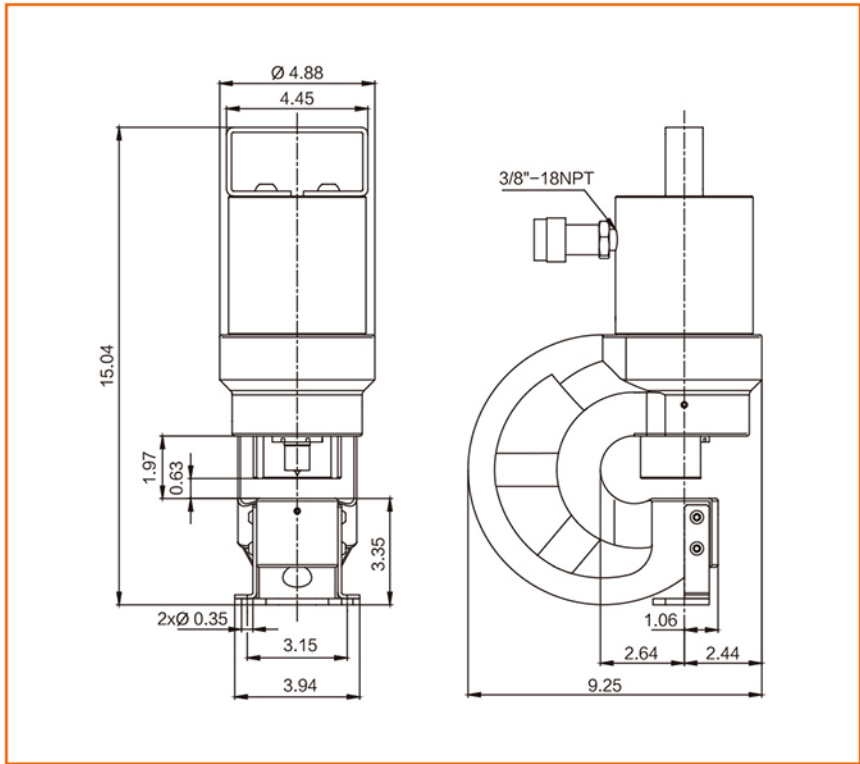


Oil Capacity: 9.34 in³



Quick Selection Chart

MODEL	Punch	Die Set	Pump	Hose	Coupler	Weight(lbs)
EHP-35S	EHP-35	Standard	-	-	-	66
EHP-35SH	EHP-35	Standard	EPA-10921A	EH-8206C	EAB-201	88
EHP-35SE	EHP-35	Standard	EPB-1710A	EH-8206C	EAB-201	128
EHP-35SA	EHP-35	Standard	EPC-002	EH-8206C	EAB-201	90



Steel Types:

1. Mild A-7
2. Boiler Plate
3. Structural A-36
4. Struct Coren (ASTM A242)
5. Cold Rolled C-1018
6. Hot Rolled C-1050
7. Hot Rolled C-1095
8. Hot Rolled C-1095 Annealed
9. Stainless Annealed
10. Stainless 304 Hot Rolled
11. Stainless 316 Cold Rolled

Punch And Die Sets Selection Chart

Hole Shape	Imperial**		Metric**		Standard Punch & Die Set Model	Maximum Allowable Material Thickness To Be Punched (inch)										
	Hole Size	Bolt Size	Hole Size	Bolt Size		1	2	3	4	5	6	7	8	9	10	11
	inch	inch	mm	mm												
●	0.31	1/4	7.9	-	HPD-313	0.31	0.31	0.25	0.25	0.25	0.25	0.13	0.19	0.25	0.25	0.25
●	0.38	5/16	9.5	M8	*HPD-375	0.38	0.38	0.31	0.31	0.31	0.31	0.19	0.25	0.31	0.31	0.31
●	0.44	3/8	11.1	M10	*HPD-438	0.44	0.44	0.38	0.38	0.38	0.31	0.19	0.31	0.31	0.31	0.31
●	0.53	7/16	13.5	M12	*HPD-531	0.5	0.5	0.44	0.44	0.44	0.38	0.25	0.31	0.38	0.38	0.38
●	0.56	1/2	14.3	-	HPD-563	0.5	0.5	0.5	0.44	0.5	0.44	0.25	0.31	0.4	0.4	0.4
●	0.69	5/8	17.5	M16	*HPD-688	0.5	0.5	0.5	0.44	0.5	0.4	0.25	0.31	0.4	0.4	0.4
●	0.78	-	19.8	M18	*HPD-781	0.5	0.5	0.5	0.44	0.5	0.38	0.25	0.31	0.38	0.39	0.38
●	0.81	3/4	20.6	-	HPD-813	0.5	0.5	0.5	0.44	0.5	0.31	0.19	0.31	0.31	0.31	0.31
■	0.31	1/4	7.9	-	HPD-458	0.31	0.31	0.25	0.25	0.25	0.25	0.13	0.19	0.25	0.25	0.25
■	0.38	5/16	9.5	M8	HPD-549	0.38	0.38	0.31	0.31	0.31	0.31	0.19	0.25	0.31	0.31	0.31
■	0.44	3/8	11.1	M10	HPD-639	0.44	0.44	0.38	0.38	0.38	0.31	0.19	0.31	0.31	0.31	0.31
■	0.50	7/16	12.7	M12	HPD-728	0.5	0.5	0.44	0.44	0.44	0.38	0.25	0.31	0.38	0.38	0.34
■	0.31×0.75	1/4	7.9×19	-	HPD-106	0.31	0.31	0.25	0.25	0.25	0.25	0.13	0.19	0.25	0.25	0.25
■	0.38×0.75	5/16	9.5×19	M8	HPD-125	0.38	0.38	0.31	0.31	0.31	0.31	0.19	0.25	0.31	0.31	0.31
■	0.44×0.75	3/8	11.1×19	M10	HPD-188	0.44	0.44	0.38	0.38	0.38	0.31	0.19	0.31	0.31	0.31	0.31
■	0.50×0.75	7/16	12.7×19	M12	HPD-250	0.5	0.5	0.44	0.44	0.44	0.38	0.25	0.31	0.38	0.38	0.38

*Standard configuration Punch & Die Set

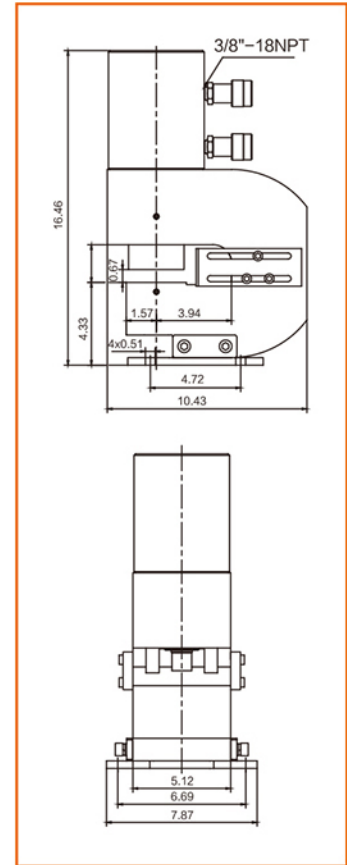
**Material thickness should not exceed hole diameter.

EHP SERIES

Hydraulic Punches

The Eagle Pro EHP series hydraulic punches allow for precise hole punching operations that are much quicker than drilling. The EHP-50 features a dual acting 50T cylinder for quick retraction times and can punch holes up to 1.03" in diameter.

EHP-50S



Oil Capacity:	Advance: 13.67 in ³
	Retract: 3.78 in ³



Quick Selection Chart

MODEL	Punch	Die Set	Pump	Hose	Coupler	Weight(lbs)
EHP-50S	EHP-50	Standard	-	-	-	153
EHP-50SE	EHP-50	Standard	EPB-175A	EH-8206C	EAB-201	215

Steel Types:

- Mild A-7
- Boiler Plate
- Structural A-36
- Struct Coren (ASTM A242)
- Cold Rolled C-1018
- Hot Rolled C-1050
- Hot Rolled C-1095
- Hot Rolled C-1095 Annealed
- Stainless Annealed
- Stainless 304 Hot Rolled
- Stainless 316 Cold Rolled

Punch And Die Sets Selection Chart

Hole Shape	Hole Size	Bolt Size	Standard Punch & Die Set Model	Maximum Allowable Material Thickness To Be Punched(inch)										
	in	in		1	2	3	4	5	6	7	8	9	10	11
●	0.53	1/2	HPD-135	0.53	0.53	0.53	0.53	0.53	0.49	0.32	0.4	0.49	0.49	0.49
●	0.66	5/8	HPD-168	0.56	0.56	0.56	0.5	0.56	0.51	0.32	0.4	0.51	0.51	0.51
●	0.78	3/4	HPD-198	0.56	0.56	0.56	0.5	0.56	0.49	0.32	0.4	0.49	0.5	0.49
●	0.91	7/8	HPD-231	0.56	0.56	0.56	0.5	0.56	0.35	0.22	0.35	0.35	0.35	0.35
●	1.03	1	HPD-262	0.56	0.56	0.56	0.44	0.56	0.31	0.19	0.31	0.31	0.31	0.31

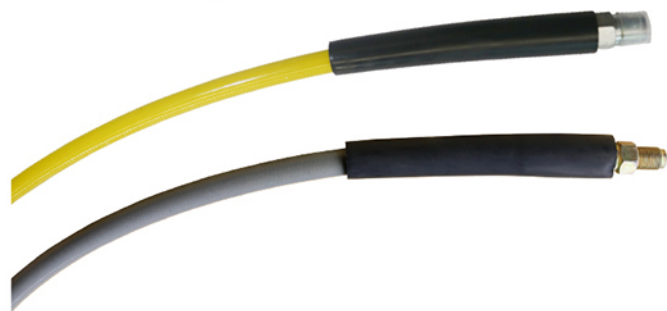
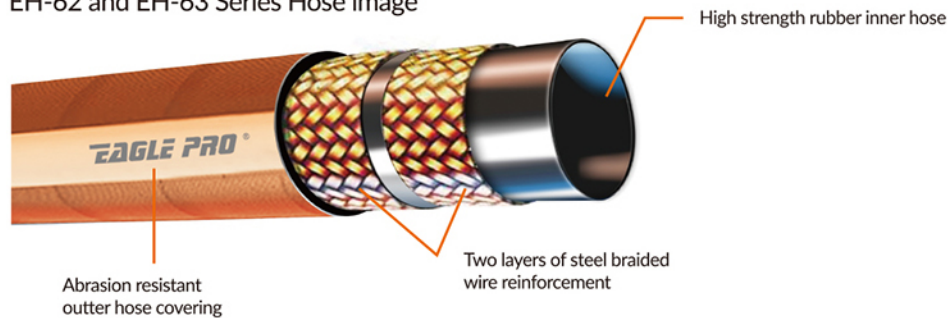
**Material thickness should not exceed hole diameter.

EH SERIES

High Pressure Hoses

- The Eagle Pro EH series hydraulic hoses are available in different material types, sizes, and lengths.
- Depending on the model, the EH series hoses are made durable of thermo-plastic or high strength reinforced rubber.

EH-62 and EH-63 Series Hose image



EH-72 SERIES

EH-71 SERIES



EH Ordering Matrix and Specifications

Model	Hose I.D.		Hose Material	Working Pressure	Burst Pressure	Hose End Configuration				
	In	Ft				Pump End	Cylinder End			
EH-7106	1/8"	6	Thermo-Plastic	20,000	65,000	1/4-BSP	1/4-BSP			
EH-7110		10				1/4-BSP	1/4-BSP			
EH-7120		20				1/4-BSP	1/4-BSP			
EH-6203C	1/4"	3	Heavy-Duty Rubber	10,000	20,000	3/8" NPT	EAB-201B			
EH-6206C		6				3/8" NPT	EAB-201B			
EH-6210C		10				3/8" NPT	EAB-201B			
EH-6220C		20				3/8" NPT	EAB-201B			
EH-6206TC		6				3/8" NPT	EAB-202B			
EH-7206		6				Thermo-Plastic	10,000	40,000	3/8" NPT	3/8" NPT
EH-7210		10							3/8" NPT	3/8" NPT
EH-7220	20	3/8" NPT	3/8" NPT							

EAB SERIES

Quick Couplers

- The Eagle Pro EAB series are high quality, quick couplers.
- These couplers have a max pressure at 10,000 PSI. All couplers are high flow models.




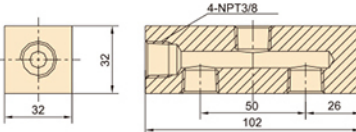

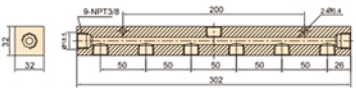

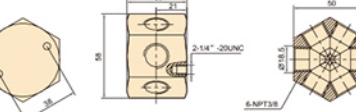

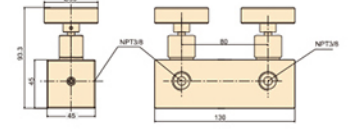

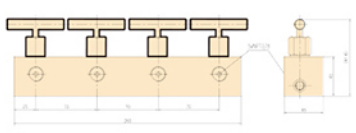

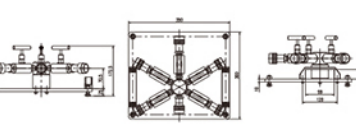
Model	Max Pressure (PSI)	Type	Threads	Female Couplers	Male Couplers
EAB-201	10,000	High Flow	3/8"-18NPT	EAB-201A	EAB-201B
EAB-202	10,000	High Flow	1/4"-18NPT	EAB-202A	EAB-202B
EAB-203	10,000	High Flow	3/8"-18NPT	EAB-203A	EAB-203B
EAB-204	20,000	Ultra High Flow	1/4"-BSP	EAB-204A	EAB-204B

*EAB-203B USED WITH ESL-50

EAC SERIES

Manifolds



 <p>EAC-102</p>		 <p>EAC-106</p>	
 <p>EAC-206</p>		 <p>EAC-402</p>	
 <p>EAC-404</p>		 <p>EAC-206A</p>	

ECMS SERIES



Single Acting Control Manifolds

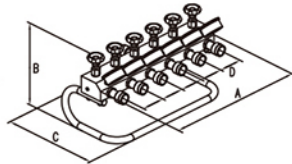
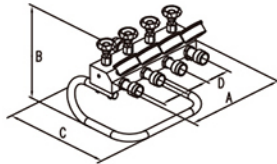
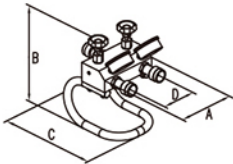
Eagle Pro control manifolds allow simple control of the directional flow of hydraulic fluid in both single and double acting cylinder systems. These control manifolds are available in several outlet options and are supplied with easy to read pressure gauges. All models come with high flow quick couplers on all inlet and outlet ports.



ECMS-4



ECMS-6



Model	Size			
	A in	B in	C in	D in
ECMS-2	6.50	11.81	9.25	3.94
ECMS-4	12.20	11.81	9.25	3.15
ECMS-6	18.50	11.81	9.25	3.15

ECMD SERIES



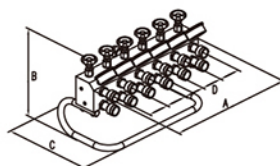
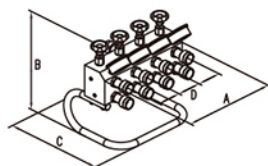
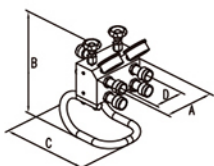
Double Acting Control Manifolds



ECMD-4




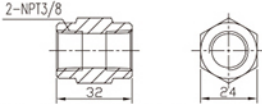

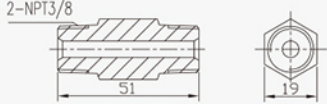

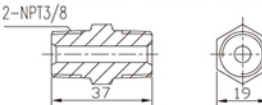

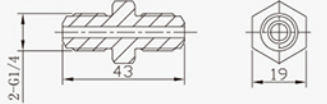

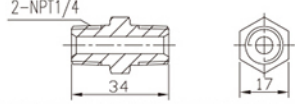

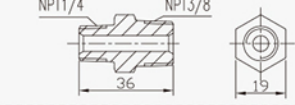

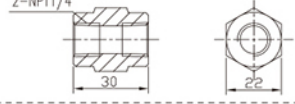



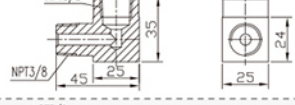






ECMD-6



Model	Size			
	A in	B in	C in	D in
ECMD-2	6.50	10.04	9.25	3.94
ECMD-4	12.20	10.04	9.25	3.15
ECMD-6	18.50	10.04	9.25	3.15

EFC SERIES

Fittings

	Model	Description	Dimensions (mm)
	EFC-11	Coupling From 3/8-18 NPT Female to 3/8-18 NPT Female	
	EFC-12	Hexagon Nipple From 3/8-18 NPT male, to 3/8-18 NPT male	
	EFC-13	Hexagon Nipple From 3/8-18 NPT male, to 3/8-18 NPT male	
	EFC-14	Hexagon Nipple From 1/4-BSP male to 1/4-BSP male	
	EFC-15	Hexagon Nipple From 1/4-18 NPT male to 1/4-18 NPT male	
	EFC-16	Hexagon Nipple From 1/4-18 NPT male to 3/8-18 NPT male	
	EFC-181	1/4-18NPT Female - 1/4-18NPT Female	
	EFC-21	Elbow From 1/4-18 NPT Male to 3/8-18 NPT Female	
	EFC-22	Elbow From 3/8-18 NPT Male to 3/8-18 NPT Female	
	EFC-23	Elbow From 1/4-18NPT Female to 3/8-18 NPT Female	
	EFC-31	Tee From 3/8-18 NPT Female to 3/8-18 NPT Female and 3/8 NPT Female	
	EFC-41	4 way connector. Female 3/8-18NPT to Female 3/8-18NPT	

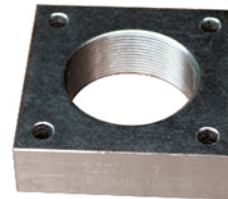
CYLINDER ACCESSORIES

Cylinder Stands

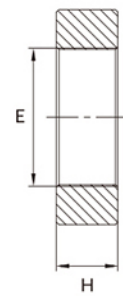
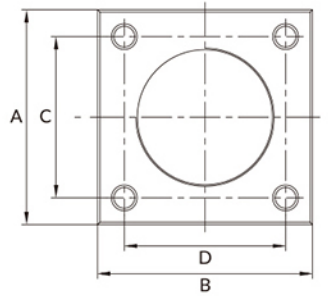
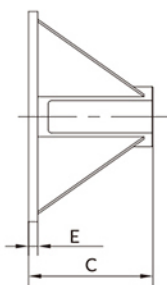
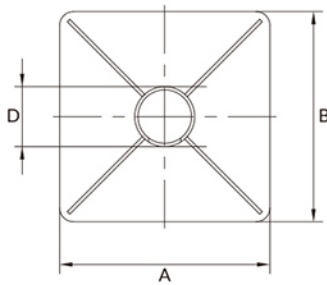


Series	Capacity	Model
ES	10	ECS-10
	25	ECS-25

Mounting Blocks



Series	Capacity	Model
ES	10	ECMB-10
	25	ECMB-25



Model	Stand Dimensions				
	A in	B in	C in	D in	E in
ECS-10	8.97	8.97	5.31	2.28	0.78
ECS-25	10.98	10.98	5.51	3.38	1.02

Model	Mounting block Dimensions				
	A in	B in	C in	D in	E in
ECMB-10	3.50	3.50	2.62	2.62	2-1/4 - 14UNS-2B
ECMB-25	5.00	5.00	3.66	3.66	3-5/16 - 12UN-2B



EV-11

Manual needle valve. Used to manually control the speed of a cylinder, can be used as shut-off valve for temporary load holding.



EV-23

Manually operated check valve. Used to hold load with single or double acting cylinders, or manually opened to allow oil to flow back to pump when cylinder retracts.



EV-71

Pilot Operated Check Valve. Used with double acting cylinders to hold the load in case of sudden system pressure loss. Pilot port receives pressure from a tee off of the cylinder retraction line.

CYLINDER ACCESSORIES

Saddles					Model Number	Saddle Dimensions					
Series	Capacity	Tilt	Grooved	Hollow		A in	B in	C in	D in	E in	
					ST-10	1.38	0.67	0.86	-	-	
					ST-50	1.93	0.91	1.43	-	-	
					ST-100	2.80	0.94	1.46	1.73	2.80	
					ST-200	5.08	0.79	1.77	4.13	5.08	
					ST-250	5.87	0.83	1.81	4.92	5.87	
					ST-300	7.68	2.95	3.94	4.41	5.47	
					ST-400	8.86	3.35	4.33	5.24	6.26	
					ST-500	9.76	3.58	4.57	5.94	7.05	
					ST-600	10.83	3.78	4.76	6.57	7.64	
					ST-800	12.52	4.84	5.83	7.76	8.82	
					ST-1000	14.09	5.35	6.34	8.70	9.80	
ESH	20			SH-2015	STX-50	1.93	0.94	1.69	1.54	1.93	
ESH/EDH	30			SH-3015	STX-100	2.87	1.14	1.89	2.17	2.91	
ESH/EDH	60			SH-5016	STX-150	3.58	1.22	1.97	2.91	3.70	
ESH/EDH	10			SH-10016	STX-200	4.65	1.38	2.32	3.54	4.45	
ED	30	ST-50			STX-250	5.67	1.81	2.76	4.72	5.71	
	50	ST-100			STX-300	6.22	2.44	3.19	5.91	6.97	
	75	ST-100			STX-400	7.60	2.01	3.07	6.69	7.72	
	50	STX-50			STX-500	8.98	2.48	3.54	7.87	8.98	
	100	STX-100			STX-600	9.49	2.99	4.06	8.66	9.72	
	150	STX-150			STX-800	11.69	2.95	4.02	10.24	11.69	
	200	STX-200			STX-1000	12.24	3.66	4.72	11.61	12.72	
	250	STX-250			ST-11	1.38	0.43	0.83	0.94	-	
	300	STX-300			ST-51	1.97	0.59	1.14	1.54	-	
	400	STX-400			ST-101	2.80	0.67	1.38	2.17	-	
	500	STX-500									
	600	STX-600									
	800	STX-800									
	1000	STX-1000									
	50-100	ST-100									
	150-200	ST-200									

* Except ES-101

** Used with ESL Low Profile Cylinders - not flat style cylinders

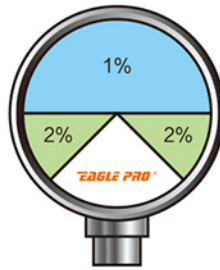
EG SERIES

High Pressure Gauges



✓ FEATURES

- Fast and easy to install.
- Made of corrosion resistant stainless steel.
- Aseismic- not affected by motion.
- Calibrated with dual scale reading for MPa and PSI.
- Class one gauges, accuracy, +/-1%.

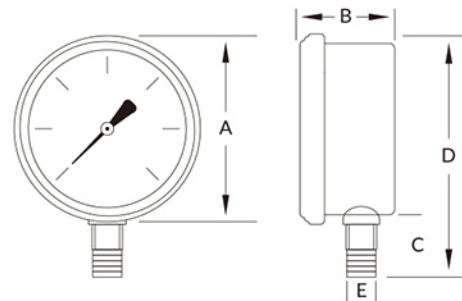


ASME B40.1 Grade A Accuracy Scale

Shown from left to right:
EG-2510A, EG-4010, EG-4016



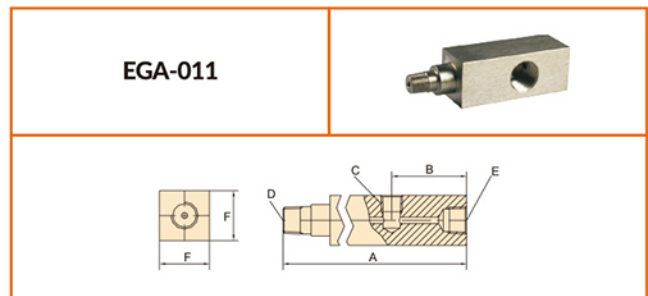
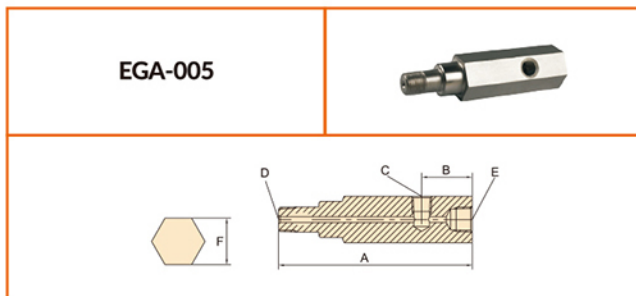
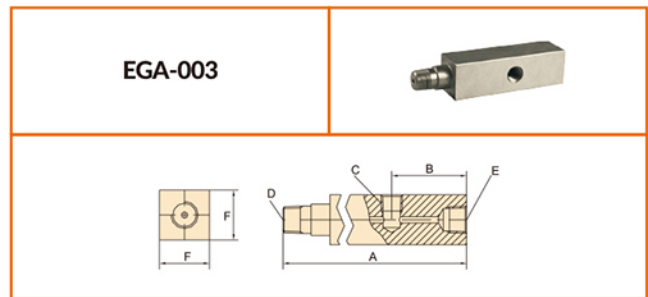
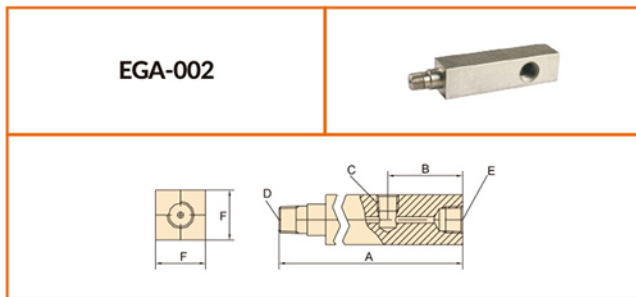
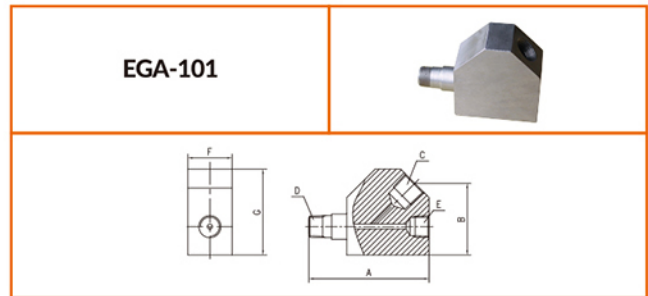
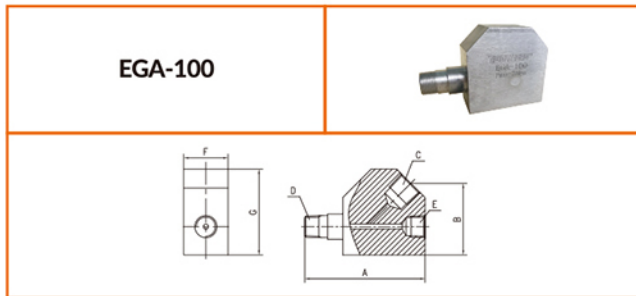
Model	Unit	A	B	C	D	E
EG-2510A	In	2.80	1.40	0.91	2.95	1/4 NPT
	mm	71	36	27	90	
EG-4010	In	4.00	1.73	1.69	5.67	1/2 NPT
	mm	100	44	43	144	
EG-4016	In	4.30	1.73	1.69	5.67	M20 X 1.5
	mm	110	44	43	144	



Model	Face Size (Dia./In.)	Case	Pressure Range			Mount	Thread	Accuracy	Major Graduation			Minor Graduation		
			psi	bar	MPa				psi	bar	MPa	psi	bar	MPa
EG-2510A	2.5	Stainless Steel, Glycerine Filled	0 - 15,000	0-1000	-	Lower	1/4 NPT	ASME B40.1 Grade A	3000	100	-	200	20	-
EG-4010	4	Stainless Steel, Glycerine Filled	0 - 15,000	-	0-100	Lower	1/2 NPT	ASME B40.1 Grade A	14500	-	100	100	-	1
EG-4016	4	Stainless Steel, Glycerine Filled	0 - 23,000	-	0-100	Lower	M20 x 1.5	ASME B40.1 Grade A	23000	-	100	100	-	2

EGA SERIES

Pressure Gauge Adapters



Model	Male Coupler Thread	Female Coupler Thread	Gauge Port Thread	Dimensions			
	IN/D	IN/E	IN/C	IN/A	IN/B	IN/F	IN/G
EGA-002	3/8"- NPT	3/8"-NPT	1/2"-NPT	6.10	1.38	1.26	-
EGA-003	3/8"- NPT	3/8"-NPT	1/4"-NPT	5.24	1.89	1.26	-
EGA-005	3/8"- NPT	3/8"-NPT	1/4"-NPT	5.28	1.38	1.26	-
EGA-011	3/8"-NPT	1/4"-NPT	1/4"-NPT	5.24	1.89	1.26	-
EGA-100	3/8"-NPT	3/8"-NPT	1/4"-NPT	3.54"	2.1"	1.18"	2.36"
EGA-101	3/8"-NPT	3/8"-NPT	1/2"-NPT	3.74"	2.24"	1.38"	2.68"

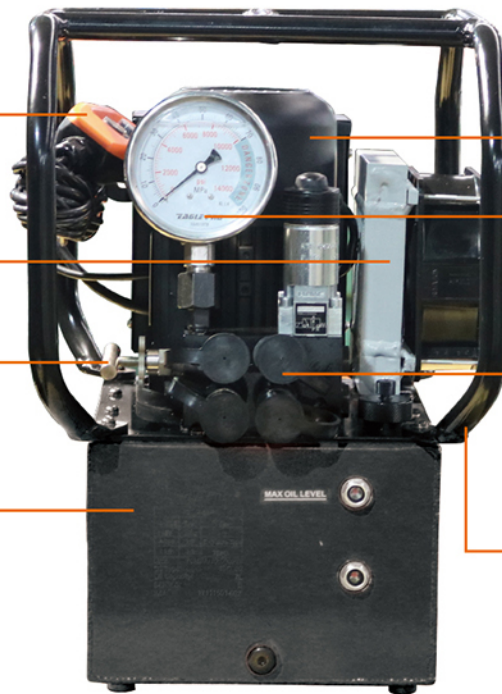
BOLTING SOLUTIONS

Applications And Solution:	Products
<p>A wide range of pumps and accessories are available to make sure the job gets completed on time.</p>	
<p>Eagle Pro hydraulic torque wrenches provide controlled tightening of multiple sized fasteners. ESW square drive and EHW low profile hydraulic torque wrenches provide a wide range of torque for industrial applications. Optional accessories further extend the application range of these products.</p>	
<p>Some applications need parallel joint closure to ensure a good assembly. This often requires the simultaneous tightening of multiple fasteners. Eagle Pro EB Series Hydraulic Bolt Tensioners can achieve accurate preload in single or multiple fastener applications simultaneously, without inducing rotational twist or contending with the uncertainties of friction and lubrication.</p>	
<p>Eagle Pro ENS series hydraulic nut splitters provide a safe, effective method of removing difficult or frozen nuts without costly damage to the bolt. An angled head and heavy-duty replaceable chisel allows these to be used in a wide variety of applications.</p>	

TWP SERIES

Hydraulic Torque Wrench Pumps

The TWP series torque wrench pump was designed with useful features usually reserved for more expensive pumps. The high flow rate, heavy-duty motor, and ease of use will ensure that the job gets done right, the first time.



Hand held remote control for easy operation

This pump comes with built-in oil cooling as a standard feature enabling you to be more productive.

Fully adjustable-and lockable pressure valve, Allows you to set the pressure you need to achieve the right amount of torque

High strength, light weight, aluminum alloy reservoir and pump body making it extremely portable

High efficiency TEFC induction motor starts under the toughest loads

Easy to read pressure gauge and oil level sight ensure your pump is working properly

4 Port valve design allows operation of 2 torque wrenches at the same time

High strength aluminum roll cage protects the pump in the harshest environments



Model	Number Of Wrenches	Flow Rate(L/min)						Oil Capacity		Dimensions			Motor	Weight Without Oil (lbs)
		1st Stage		2nd Stage		3rd Stage		Gal	Liters	L	W	H		
		In ² per min	L per Min	In ² per min	L per Min	In ² per min	L per Min							
TWP-3AF	1 or 2	488	8	93	1.52	46	0.76	1.5	6	16.9	13	18.58	1.3HP, 115V 60Hz	60.6

TORQUE WRENCH ACCESSORIES



High pressure Hydraulic Hoses

Model	Length(Ft.)
EH-7215DB	15
EH-7220DB	20
EH-7240DB	40

*Hoses come with both male and female couplers



Quick Coupler

Model	Threads	Type
EAB-202TA	1/4-18 NPT	FEMALE
EAB-202TB		MALE
EAB-202T		MALE&FEMALE

ESW SERIES

Square Drive Hydraulic Torque Wrenches

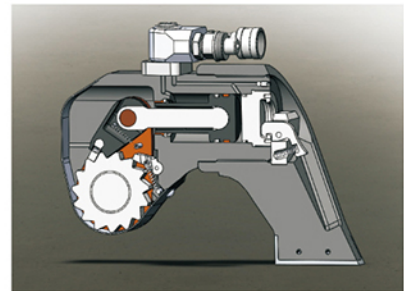
The ESW series torque wrenches were designed with accuracy, reliability, and ease of use in mind. A fully positionable, 360° rotating reaction arm allows you to put the torque wrench head where you need it. The multi-port swiveling inlet keeps the hydraulic hoses out of your way while you work. Quick release square drive allows you to switch from tightening and loosening operations without any special tools. Compact, light-weight, high strength Aluminum alloy construction makes these wrenches a breeze to carry to the job site. Designed using 3D CAD modeling software, the ESW torque wrenches will provide consistent torque within +/-3%.



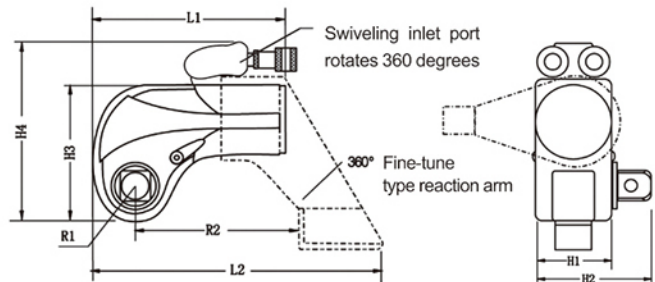
Swiveling inlet port rotates 360 degrees

360° fine-tune type reaction arm

Fast and efficient operation. 35° rotation angle and fast return stroke



Quick release square drive made from high strength, heat treated steel

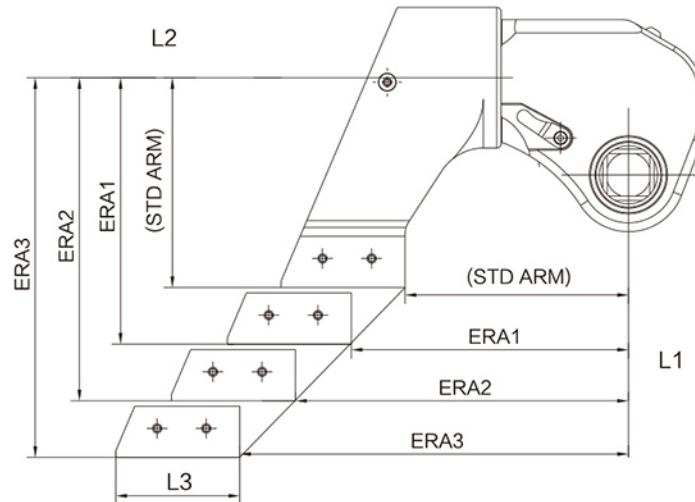


Be sure to select the correct torque wrench for your application. Loosening torque requires approximately 250% more than tightening torque

Model	Square Drive	Torque Range @10,000 psi		Recommended Bolt/Nut Range		Weight	L1	L2	H1	H2	H3	H4	R1	R2
		In	Ft lbs	Nm	In									
ESW-1	3/4	139 - 1400	189 - 1897	1/2 - 1-3/8	16-36	4.4	5.12	7.17	1.97	2.83	3.9	5.67	1.02	3.9
ESW-3	1	332 - 3328	450 - 4510	7/8 - 1-7/8	22-48	8.8	6.54	9.49	2.68	3.74	5.12	6.93	1.34	5.28
ESW-5	1-1/2	544 - 5437	737 - 7368	1-1/8 - 2-1/4	27-56	15.4	7.8	11.06	3.15	4.84	6.1	7.8	1.54	5.98
ESW-8	1-1/2	796 - 7956	1078 - 10,784	1-1/4 - 2-3/8	30-64	20.02	8.39	12.13	3.54	5.12	6.73	8.5	1.85	6.73
ESW-10	1-1/2	1144 - 11,441	1550 - 15,503	1-3/8 - 3	36-72	28.82	9.09	13.23	3.94	5.55	7.36	9.06	2.01	6.85
ESW-20	2-1/2	1966 - 19,662	2666 - 26,658	1-5/8 - 3-1/2	42-90	55	11.61	17.44	4.72	7.17	8.98	10.55	2.32	9.84

ESW Series Torque Wrenches

Eagle Pro Extended Reaction Arms



Torque Wrench Model	Model Number	L1 (R2)		L2		L3	
		in	mm	in	mm	in	mm
	Std Arm (R2)	3.90	99.06	3.7	94	2.18	55.5
ESW-1	ERA1-1	4.88	124.06	4.7	119.4	2.18	55.5
	ERA1-2	5.87	149.06	5.7	144.8	2.18	55.5
	ERA1-3	6.85	174.06	6.7	170.1	2.18	55.5
	Std Arm (R2)	5.07	129	4.68	119	2.93	74.5
ESW-3	ERA1-1	6.06	154	5.68	144.4	2.93	74.5
	ERA1-2	7.04	179	6.68	169.8	2.93	74.5
	ERA1-3	8.03	204	7.68	195.2	2.93	74.5
	Std Arm (R2)	6.22	158	5.31	135	3.19	81
ESW-5	ERA1-1	7.20	183	6.31	160.4	3.19	81
	ERA1-2	8.18	208	7.31	185.8	3.19	81
	ERA1-3	9.17	233	8.31	211.2	3.19	81
	Std Arm (R2)	6.73	170.94	6.45	164	3.53	89.9
ESW-8	ERA1-1	7.71	195.94	7.45	189.4	3.53	89.9
	ERA1-2	8.70	220.94	8.45	214.8	3.53	89.9
	ERA1-3	9.68	245.94	9.45	240.2	3.53	89.9
	Std Arm (R2)	6.85	173.99	6.71	170.5	4.42	112.4
ESW-10	ERA1-1	7.83	198.99	7.71	195.9	4.42	112.4
	ERA1-2	8.82	223.99	8.71	221.3	4.42	112.4
	ERA1-3	9.80	248.99	9.71	246.7	4.42	112.4
	Std Arm (R2)	9.84	249.93	8.22	209	5	127
ESW-20	ERA1-1	10.82	274.93	9.22	234.5	5	127
	ERA1-2	11.81	299.93	10.22	259.9	5	127
	ERA1-3	12.79	324.93	11.22	285.3	5	127

EHW SERIES

Low Profile Hydraulic Torque Wrenches

The EHW series torque wrenches feature a compact, light weight, aluminum alloy construction that allows you to get into those tight areas where other torque wrenches won't fit. Simple, tool free design, makes changing the link on the job site easy. The multi-port swiveling inlet keeps the hydraulic hoses out of your way while you work. Designed using 3D CAD modeling software, the EHW torque wrenches will provide consistent torque within +/-3%



Swiveling inlet port rotates 360 degrees

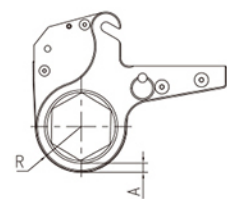
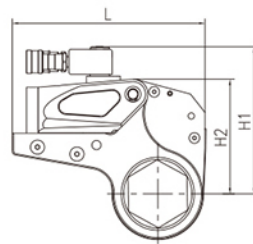


Fast and efficient operation. 35° rotation angle and fast return stroke

Simple, tool free design for fast link changes on the job site



High strength, heat treated, steel reducers-custom sizes available if needed



Be sure to select the correct torque wrench for your application. Loosening torque requires approximately 250% more than tightening torque

Model	Torque Range @10,000psi		Recommended Bolt/Nut Range		Power Unit Weight	Cassette Weight	L	H1	H2	W1	W2
	Ft Lbs	NM	In	mm	Lbs	Lbs	In	In	In	In	In
EHW-2	168 - 1681	228 - 2278	3/4-2-1/4	19-60	2.2	3.52	7.73	4.96	4.03	1.26	2.01
EHW-2SO	179-1791	243 - 2427	SPECIAL ORDER ONLY								
EHW-4	432 - 4326	586 - 5862	1-1/4-3	34-80	4.4	9.68	9.65	6.97	5.34	1.65	2.60
EHW-4SO	474 - 4750	643 - 6437	SPECIAL ORDER ONLY								
EHW-8	814 - 8841	1103 - 11,981	1-5/8-4	41-105	7.26	17.6	11.81	8.15	6.65	2.09	3.27
EHW-8SO	871 - 8713	1181 - 11,807	SPECIAL ORDER ONLY								
EHW-14	1151 - 11,552	1560 - 15,653	1-7/8-4-1/2	50-117	12.1	25.52	14.21	9.41	8.03	2.52	3.90

EHW Series Links

Bolt Head/Nut Size		Torque Wrench Model			
Inch	Metric	EHW-2 Link Model	EHW-4 Link Model	EHW-8 Link Model	EHW-14 Link Model
3/4	19	EHWL2-34			
13/16	21	EHWL2-1316			
7/8	22	EHWL2-78			
15/16	24	EHWL2-1516			
1	25	EHWL2-1	EHWL4-1		
1-1/16	27	EHWL2-1116	EHWL4-1116		
1-1/8	29	EHWL2-118	EHWL4-118		
1-3/16	30	EHWL2-11316	EHWL4-1316		
1-1/4	32	EHWL2-114	EHWL4-114		
1-5/16	33	EHWL2-11516	EHWL4-1516		
1-3/8	35	EHWL2-138	EHWL4-138		
1-7/16	36	EHWL2-1716	EHWL4-1716		
1-1/2	38	EHWL2-112	EHWL4-112		
1-9/16	40	EHWL2-1916	EHWL4-1916		
1-5/8	41	EHWL2-158	EHWL4-158		
1-11/16	43	EHWL2-11116	EHWL4-11116		
1-3/4	44	EHWL2-134	EHWL4-134		
1-13/16	46	EHWL2-11316	EHWL4-11316		
1-7/8	48	EHWL2-178	EHWL4-178	EHWL8-178	
1-15/16	49	EHWL2-11516	EHWL4-11516	EHWL8-11516	
2	50	EHWL2-2	EHWL4-2	EHWL8-2	
2-1/16	52	EHWL2-2116	EHWL4-2116	EHWL8-2116	
2-1/8	54	EHWL2-218	EHWL4-218	EHWL8-218	
2-3/16	55	EHWL2-2316	EHWL4-2316	EHWL8-2316	
2-1/4	57	EHWL2-214	EHWL4-214	EHWL8-214	
2-5/16	59	EHWL2-2516	EHWL4-2516	EHWL8-2516	
2-3/8	60	EHWL2-238	EHWL4-238	EHWL8-238	EHWL14-238
2-7/16	62		EHWL4-2716	EHWL8-2716	EHWL14-2716
2-1/2	63		EHWL4-212	EHWL8-212	EHWL14-212
2-9/16	65		EHWL4-2916	EHWL8-2916	EHWL14-2916
2-5/8	67		EHWL4-258	EHWL8-258	EHWL14-258
2-11/16	68		EHWL4-21116	EHWL8-21116	EHWL14-21116
2-3/4	70		EHWL4-234	EHWL8-234	EHWL14-234
2-13/16	71		EHWL4-21316	EHWL8-21316	EHWL14-21316
2-7/8	73		EHWL4-278	EHWL8-278	EHWL14-278
2-15/16	75		EHWL4-21516	EHWL8-21516	EHWL14-21516
3	76		EHWL4-3	EHWL8-3	EHWL14-3
3-1/16	78		EHWL4-3116	EHWL8-3116	EHWL14-3116
3-1/8	80		EHWL4-318	EHWL8-318	EHWL14-318
3-3/16	81			EHWL8-3316	EHWL14-3316
3-1/4	83			EHWL8-314	EHWL14-314
3-5/16	84			EHWL8-3516	EHWL14-3516
3-3/8	85			EHWL8-338	EHWL14-338
3-7/16	87			EHWL8-3716	EHWL14-3716
3-1/2	89			EHWL8-312	EHWL14-312
3-9/16	91			EHWL8-3916	EHWL14-3916
3-5/8	92			EHWL8-358	EHWL14-358
3-11/16	94			EHWL8-31116	EHWL14-31116
3-3/4	95			EHWL8-334	EHWL14-334
3-13/16	97			EHWL8-31316	EHWL14-31316
3-7/8	98			EHWL8-378	EHWL14-378
3-15/16	100			EHWL8-31516	EHWL14-31516
4	102			EHWL8-4	EHWL14-4
4-1/16	103				EHWL14-4116
4-1/8	105				EHWL14-418
4-3/16	106				EHWL14-4316
4-1/4	108				EHWL14-414
4-5/16	110				EHWL14-4516
4-3/8	111				EHWL14-438
4-7/16	113				EHWL14-4716
4-1/2	114				EHWL14-412
4-9/16	116				EHWL14-4916
4-5/8	117				EHWL14-458



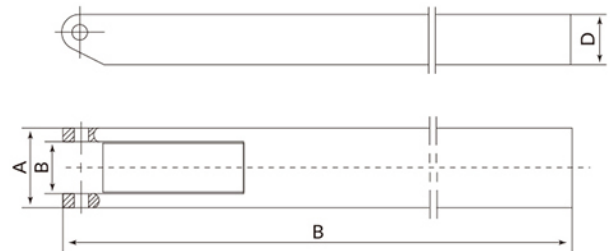
EHW Links and Reducers



Torque Wrench Model	Link Model	Link Bolt Head/Nut Size		Reducer Model	Reducer Bolt Head/Nut Size		Torque Wrench Model	Link Model	Link Bolt Head/Nut Size		Reducer Model	Reducer Bolt Head/Nut Size	
		IN	MM		IN	MM			IN	MM		IN	MM
EHW-2	EHWL2-1716	1-7/16	36	E23628	1-1/8	29	EHW-8	EHWL8-2916	2-9/16	65	E86550	2	50
	EHWL2-158	1-5/8	41	E24130	1-3/16	30		EHWL8-234	2-3/4	70	E87050	2	50
	EHWL2-11316	1-13/16	46	E24131	1-1/4	32		E87055	2-3/16	55			
				E24622	1-1/16	27		E87060	2-3/8	60			
				E24632	1-1/4	32		E87555	2-3/16	55			
				E24636	1-7/16	36		E87560	2-3/8	60			
	EHWL2-2	2	50	E25032	1-1/4	32		E87565	2-9/16	65			
				E25036	1-7/16	36		E88050	2	50			
				E25041	1-5/8	41		E88055	2-3/16	55			
	EHWL2-2316	2-3/16	55	E25536	1-7/16	36		E88060	2-3/8	60			
				E25541	1-5/8	41		E88065	2-9/16	65			
				E25546	1-13/16	46		E88070	2-3/4	70			
E26041				1-5/8	41	E89070	2-3/4	70					
EHWL2-238	2-3/8	60	E26046	1-13/16	46	E89075	2-15/16	75					
			E26050	2	50	E89076	3	76					
EHW-4	EHWL4-2	2	50	E45047	1-7/8	48	EHW-14	EHWL14-3	3	76	E147654	1-1/8	29
	EHWL4-2316	2-3/16	55	E45536	1-7/16	36		EHWL8-31116	3-11/16	94	E148060	2-3/8	60
				E45541	1-5/8	41		EHWL8-334	3-3/4	95	E148065	2-9/16	65
				E45546	1-13/16	46					E148070	2-3/4	70
	EHWL4-238	2-3/8	60	E46035	1-3/8	35		EHWL8-378	3-7/8	98	E149075	2-5/16	59
				E46036	1-7/16	36					E149070	2-3/4	70
				E46046	1-13/16	46		EHWL14-312	3-1/2	89	E149080	3-1/8	80
	EHWL4-2716	2-7/16	62	E46050	2	50		EHWL14-31116	3-11/16	94	E149575	2-5/16	59
				E46346	1-13/16	46					E149570	2-3/4	70
	EHWL4-212	2-1/2	63	E46350	2	50		EHWL14-378	3-7/8	98	E149580	3-1/8	80
				E46334	2-1/16	52					E140075	2-15/16	75
				EHWL4-2916	2-9/16	65		E46546	1-13/16	46	EHWL14-414	4-1/4	108
E46550	2	50	E140090				3-1/2	89					
E46554	2-1/8	54	EHWL14-458				4-5/8	117	E1411090	3-1/2	89		
E46555	2-3/16	55							E1411095	3-11/16	94		
EHWL4-234	2-3/4	70	E47050	2	50	E14110100	3-7/8	98					
			E47055	2-3/16	55	E1411795	3-11/16	94					
			E47060	2-3/8	60	E14117100	3-7/8	98					
EHWL4-21516	2-15/16	75	E47550	2	50	E14117110	4-1/4	108					
			E47555	2-3/16	55								
			E47560	2-3/8	60								
			E47565	2-9/16	65								
EHWL4-318	3-1/8	80	E48050	2	50								
			E48054	2-1/8	54								
			E48060	2-3/8	60								
			E48065	2-9/16	65								
			E48070	2-3/4	70								
			E48075	2-15/16	75								

EHW SERIES

Eagle Pro In-Line Reaction Arms for EHW Series Torque Wrenches

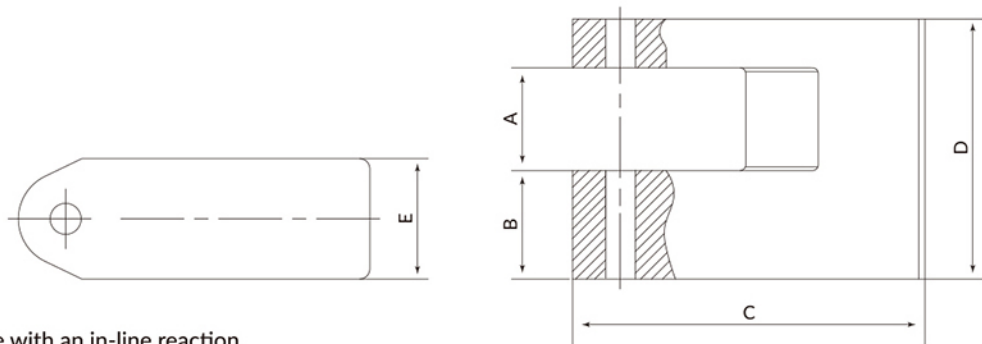
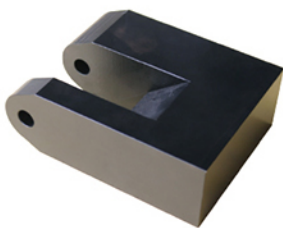


- Full torque rated.
- Increases wrench versatility in restricted areas.
- Quick pin attachment, no tools required.

Torque Wrench Model	Model Number	A		B		C		D	
		in	mm	in	mm	in	mm	in	mm
EHW-2	ETE-2015	2.17	55	1.3	33	18.31	465	1.26	32
EHW-4	ETE-4012	2.6	66	1.7	43	16.34	415	1.65	42
	ETE-4018	2.6	66	1.7	43	22.24	565	1.65	42
EHW-8	ETE-8018	3.35	85	2.13	54	23.07	586	2.13	54
EHW-14	ETE-1420	4.02	102	2.56	65	25.9	658	2.56	65

EHW SERIES

Eagle Pro Off-Set Reaction Paddles for EHW Series Torque Wrenches



- Interchangeable design.
- Provides offset reaction surface with an in-line reaction.
- Quick pin attachment, no tools required.

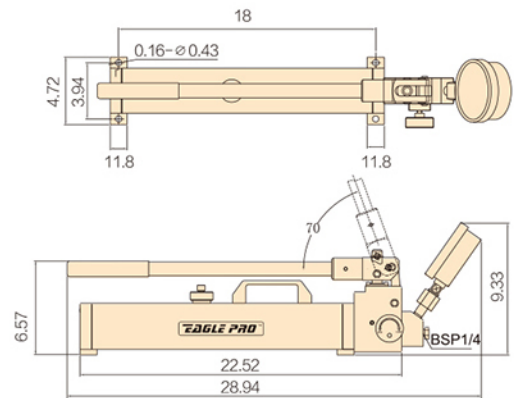
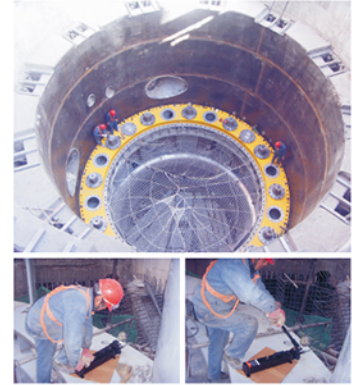
Torque Wrench Model	Model Number	A		B		C		D		E	
		in	mm	in	mm	in	mm	in	mm	in	mm
EHW-2	ERP-20	1.3	33	1.38	35	4.33	110	3.31	84	1.38	35
EHW-4	ERP-40	1.69	43	1.81	46	5.79	147	4.29	109	1.97	50
EHW-8	ERP-80	2.13	54	2.24	57	6.69	170	5.37	136.5	2.36	60
EHW-14	ERP-14	2.56	65	2.76	70	7.99	203	6.5	165	2.76	70

EPA SERIES

Ultra High Pressue Hand Pump



EPA- 21621



✓ FEATURES

- High strength alloy steel construction for increased durability.
- Internal safety valve for overload protection.
- Compact, easy to carry.
- Pump is two speed design for efficient operation.



Model	Used With Cylinder	Speed	Usable Oil Volume in ³	Pressure rating		Oil output per stroke		Handle Force lbs	Output Oil Thread	Weight lbs
				1 st stage psi	2 nd stage psi	1 st stage in ³	2 nd stage in ³			
EPA-21621	Single Acting	Double	98	290	20,000	1.59	0.05	44	1/4BSP	20.9

Ultra High Pressure Hydraulic Hoses

Model	Hose Material	Internal Dia.	Working Pressure	Burst Pressure	Thread	Length
EH-7103	Thermo Plastic	1/8"	20,000 psi	65,000 psi	1/4 BSP	3 ft
EH-7106		1/8"	20,000 psi	65,000 psi	1/4 BSP	6ft
EH-7110		1/8"	20,000 psi	65,000 psi	1/4 BSP	10 ft
EH-7120		1/8"	20,000 psi	65,000 psi	1/4 BSP	20 ft

Ultra High Pressure Hydraulic Couplers

Model	Max Pressure(PSI)	Type	Threads	Female Coupers	Male Coupers
EAB-204	20,000	Ultra High Flow	1/4BSP	EAB-204A	EAB-204B

EB SERIES

Hydraulic Tensioners



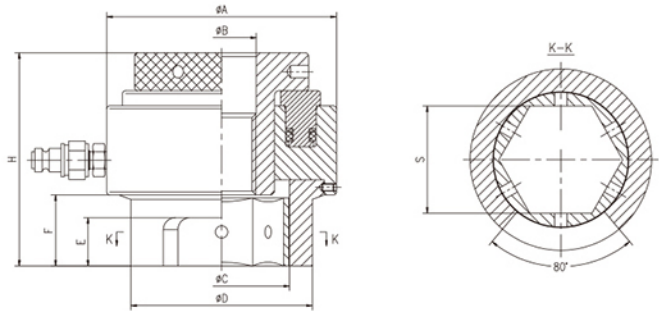
✓ FEATURES

- 10 Load cells available.
- Light weight, and accurate.
- Bridge window for full viewing.
- Removable load cell for different sized bolts.
- Bridges are removable and rotate for easy installation.



Model	Load Cell Model	Bolt Size **	Max. Load(1500bar)	Adaptor & Bridge Kit Model ***
			KN	
EB-201	EB-201LC	M20	155	EB-201AK-M20
		M22		EB-201AK-M22
		3/4		EB-201AK-3/4
		7/8		EB-201AK-7/8
EB-202	EB-202LC	M24	456	EB-202AK-M24
		M27		EB-202AK-M27
		M30		EB-202AK-M30
		M33		EB-202AK-M33
		M36		EB-202AK-M36
		1		EB-202AK-1
		1-1/8		EB-202AK-1-1/8
		1-1/4		EB-202AK-1-1/4
		1-3/8		EB-202AK-1-3/8
		M39		EB-203AK-M39
EB-203	EB-203LC	M42	763	EB-203AK-M42
		1-1/2		EB-203AK-1-1/2
		1-5/8		EB-203AK-1-5/8
		M45		EB-204AK-M45
EB-204	EB-204LC	M48	989	EB-204AK-M48
		1-3/4		EB-204AK-1-3/4
		1-7/8		EB-204AK-1-7/8
		M52		EB-205AK-M52
EB-205	EB-205LC	M56	1346	EB-205AK-M56
		2		EB-205AK-2
		2-1/4		EB-205AK-2-1/4
		M60		EB-206AK-M60
EB-206	EB-206LC	M64	1649	EB-206AK-M64
		M68		EB-206AK-M68
		2-1/2		EB-206AK-2-1/2
		M72		EB-207AK-M72
EB-207	EB-207LC	M76	2191	EB-207AK-M76
		2-3/4		EB-207AK-2-3/4
		3		EB-207AK-3
		M80		EB-208AK-M80
EB-208	EB-208LC	M85	2544	EB-208AK-M85
		M90		EB-208AK-M90
		3-1/4		EB-208AK-3-1/4
		3-1/2		EB-208AK-3-1/2
		M95		EB-209AK-M95
EB-209	EB-209LC	M100	3101	EB-209AK-M100
		3-3/4		EB-209AK-3-3/4
		M105		EB-210AK-M105
EB-210	EB-210LC	M110	3796	EB-210AK-M110
		M115		EB-210AK-M115

NOTE: ***Bolt dimension only shown - multiple thread ranges available.



Dimensions															Stroke	
A		B		C		D		E		F		H		S		in
in	mm	in	mm	in	mm	in	mm	in	mm	in	mm	in	mm	in	mm	
3.15	80	0.81	20.5	1.69	43	2.44	62	0.63	16	0.91	23	3.58	91	1.22	31	0.39
				1.77	45									1.30	33	
				1.69	43									1.22	31	
				1.77	45									1.30	33	
4.33	110	0.98	25	2.13	54	2.87	73	0.71	18	1.46	37	4.37	111	1.46	37	0.39
				2.24	57	2.95	75	0.79	20	1.18	30	4.49	114	1.65	42	
				2.44	62	3.19	81	0.79	20	1.26	32	4.57	116	1.85	47	
				2.72	69	3.46	88	0.79	20	1.38	35	4.69	119	2.01	51	
				2.91	74	3.78	96	1.02	26	1.50	38	4.80	122	2.20	56	
				2.24	57	2.95	75	0.79	20	1.18	30	4.49	114	1.54	39	
				2.44	62	3.19	81	0.79	20	1.26	32	4.57	116	1.73	44	
				2.72	69	3.46	88	0.79	20	1.38	35	4.69	119	1.93	49	
5.28	134	1.57	40	3.15	80	3.94	100	1.10	28	1.61	41	5.24	133	2.40	61	0.39
				3.35	85	4.25	108	1.18	30	1.73	44	5.35	136	2.60	66	
				3.15	80	3.94	100	1.10	28	1.61	41	5.24	133	2.28	58	
				3.35	85	4.25	108	1.18	30	1.73	44	5.35	136	2.48	63	
5.98	152	1.81	46	3.54	90	4.72	120	1.26	32	1.85	47	5.55	141	2.80	71	0.39
				3.74	95	4.92	125	1.26	32	1.97	50	5.67	144	2.99	76	
				3.54	90	4.72	120	1.26	32	1.85	47	5.55	141	2.68	68	
				3.74	95	4.92	125	1.26	32	1.97	50	5.67	144	2.99	76	
6.97	177	2.09	53	4.06	103	5.20	132	1.50	38	2.13	54	6.06	154	3.19	81	0.39
				4.17	106	5.51	140	1.50	38	2.28	58	6.22	158	3.39	86	
				4.06	103	5.20	132	1.50	38	1.97	50	5.67	144	3.03	77	
				4.53	115	5.91	150	1.61	41	2.44	62	6.45	164	3.54	90	
7.87	200	2.40	61	4.53	115	5.91	150	1.61	41	2.44	62	6.46	164	3.58	91	0.39
				4.72	120	6.14	156	1.77	45	2.60	66	6.61	168	3.78	96	
				4.96	126	6.46	164	1.77	45	2.76	70	6.77	172	3.98	101	
				4.96	126	6.46	164	1.77	45	2.76	70	6.77	172	3.94	100	
8.86	225	2.87	73	5.31	135	7.28	185	1.97	50	2.91	74	7.44	189	4.17	106	0.39
				5.51	140	7.48	190	2.05	52	3.07	78	7.60	193	4.37	111	
				5.51	140	7.48	190	2.05	52	3.07	78	7.60	193	4.29	109	
				5.75	146	8.11	206	2.36	60	3.23	82	7.95	202	4.65	118	
10.04	255	3.19	81	5.75	146	8.11	206	2.36	60	3.23	82	7.95	202	4.57	116	0.39
				6.10	155	8.27	210	2.36	60	3.43	87	8.15	207	4.76	121	
				6.50	165	8.86	225	2.36	60	3.62	92	8.35	212	5.16	131	
				6.50	165	8.86	225	2.36	60	3.62	92	8.35	212	5.04	128	
11.10	282	3.62	92	6.81	173	9.25	235	2.56	65	3.86	98	8.82	224	5.39	137	0.47
				6.81	173	9.25	235	2.56	65	3.86	98	8.82	224	5.35	136	
				7.32	186	9.65	245	2.76	70	4.06	103	9.02	229	5.75	146	
				7.32	186	9.65	245	2.76	70	4.06	103	9.02	229	5.79	147	
12.60	320	/	/	7.76	197	10.83	275	2.76	70	4.21	107	9.53	242	5.98	152	0.47
				7.95	202	10.83	275	2.95	75	4.41	112	9.72	247	6.18	157	
				8.35	212	10.83	275	3.15	80	4.61	117	9.92	252	6.57	167	

NOTE: ***For ordering purposes, add the thread size and description to the end of the provided model number above.
 EXAMPLE: EB-201AK-3/4"-16UNF for a 3/4 x16 TPI UNF threaded bolt.

ENS SERIES

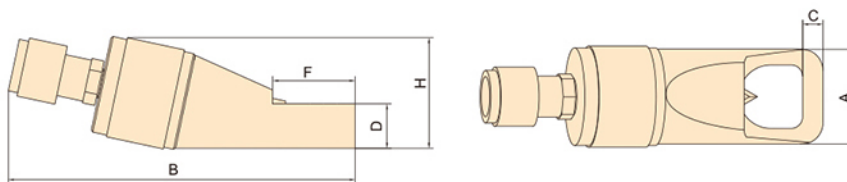
Hydraulic Nut Splitters



Shown from left to right, ENS-001A, ENS-002A, ENS-003A, ENS-004A, ENS-005A, ENS-006A, ENS-007A

✓ FEATURES

- Compact and easy to use.
- Single acting, spring return cylinder for fast blade retraction.
- Easy to replace blade.
- Angled head design for increased clearance.



Model	Hex Nut Range	Bolt Range	Capacity	Oil Capacity	Dimensions						Weight
					A	B	C	D	F	H	
	in	in	ton	in ³	in	in	in	in	in	in	lbs
ENS-001A	0.50 - 0.75	0.31 - 0.50	5	0.93	1.57	7.48	0.31	0.75	1.18	2.01	2.64
ENS-002A	0.75 - 0.94	0.50 - 0.63	10	1.22	2.13	8.46	0.43	1.02	1.57	2.56	4.40
ENS-003A	1.06 - 1.25	0.63 - 0.88	15	1.83	2.60	9.65	0.59	1.18	2.17	3.15	7.04
ENS-004A	1.44 - 1.63	0.88 - 1.13	20	3.17	2.95	11.22	0.67	1.42	2.64	3.62	9.90
ENS-005A	1.81 - 2.00	1.13 - 1.38	35	7.08	3.74	13.19	0.98	1.77	3.39	4.49	18.26
ENS-006A	2.00 - 2.25	1.38 - 1.50	50	11.04	4.17	14.37	0.98	2.05	3.94	5.04	30.58
ENS-007A	2.38 - 2.88	1.50 - 1.88	90	27.94	6.06	17.17	1.26	2.95	4.92	7.48	77.00

ECRK SERIES

4 Ton & 10 Ton Collision Repair Kits



✓ FEATURES

- Quick-lock design for fast and easy assembly and disassembly.
- Long handle provides ease of pumping.
- Thick walled extension tubes for added strength and longer life.
- Flexible hydraulic hose with spring guards at both ends.
- Plastic case for organized storage and ease of carrying.

ECRK-4-4 ton collision repair kit:

Single speed hydraulic hand pump and ram with 4" stroke, net weight 44 lbs.

ECRK-10-10 ton collision repair kit:

Single speed hydraulic hand pump and ram with 6" stroke, net weight 72.6 lbs.



Model	Pump Capacity psi	Capacity tons	Cylinder			Number Of Attachments	Weight lbs
			Collapsed Height ton	Extended Height in ³	Effective Area in ²		
ECRK-4	7000	4(4.4)	10.59	14.53	0.59	14	44.0
ECRK-10	7000	10(11)	14.84	20.75	1.33	14	72.6

*When extension tubes and/or offset attachments are used, capacity is reduced

ETJ SERIES

Toe Jacks

✓ FEATURES

ETJ-10x SERIES

- Complies with ANSI/ASME B30.1, CE/GS standards.
- Designed for lifting loads with very low minimum clearance (foot) or high clearance (head).
- Can be used in confined spaces.
- Built-in safety valve for overload protection.
- Features spring assisted return and over travel protection on 5 and 10 ton models.
- Forged base and cylinder to assure strength.



ETJ-105, ETJ-102



Model	Capacity		Minimum Height (In)		Maximum Height (In)		Weight (lbs)
	Ton	Head	Toe	Head	Toe	Head	
ETJ-102	2	3	0.63	9.37	5.06	13.74	17.60
ETJ-105	5	6	0.87	11.75	5.57	16.12	52.80
ETJ-110	10	14	1.12	13.13	6.81	18.13	83.60

✓ FEATURES

ETJ-20x SERIES

- Complies with ANSI/ASME B30.1, CE/GS standards.
- Compact and stable construction.
- Housing revolves 360°.
- Lowering speed can be accurately adjusted.
- Safety valve for overload protection.



ETJ-210, ETJ-205



Model	Capacity		Minimum Height (In)		Maximum Height (In)		Weight (lbs)
	Ton	Head	Toe	Head	Toe	Head	
ETJ-205	5	-	0.98	14.49	9.06	22.52	55.00
ETJ-210	10	-	1.18	16.54	10.24	25.59	77.00
ETJ-225	25	-	2.28	19.88	10.71	28.35	224.00

EBJ-SERIES

Bottle Jacks



Shown from left to right: EBJ-03E, EBJ-08E, EBJ-30E, EBJ-20E, EBJ-05E

✓ FEATURES

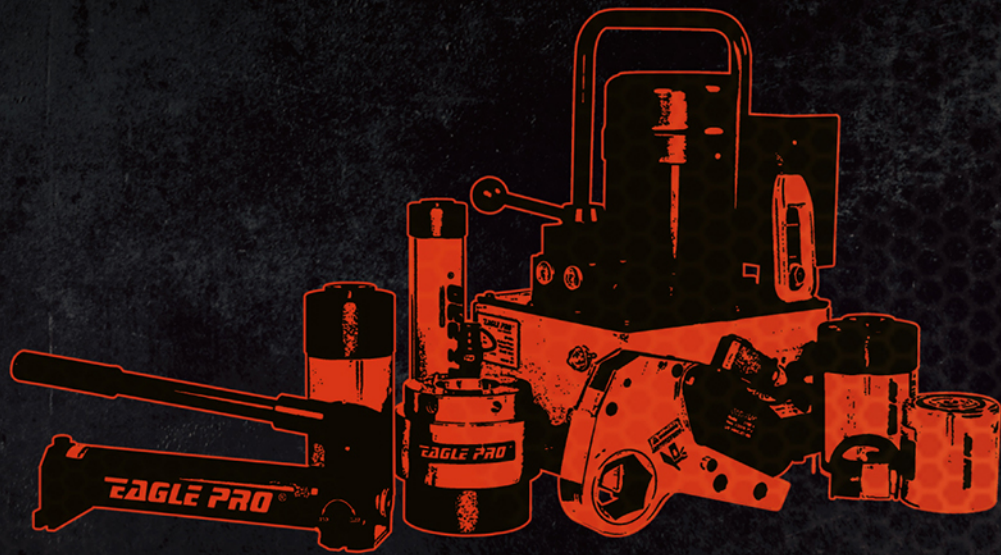
- Complies with ANSI/ASME PALD standards and CE/GS.
- Forged base and cylinder to ensure strength and eliminate leaks.
- Chromed pump piston and ram for added rust resistance.
- In-line design makes the jack more easier to position and operate.



Model	Capacity	Piston Stroke Length in	Head Screw Extension in	Minimum Height in	Maximum Height lbs	Base Dimensions		Weight Lbs
	Tons					Length (in)	Width (in)	
EBJ-02E	2	4.53	1.89	7.13	13.58	3.90	3.66	5.29
EBJ-03E	3	4.72	2.36	7.60	14.69	4.33	4.06	7.05
EBJ-05E	5	5.35	2.76	8.27	16.38	4.80	4.53	8.59
EBJ-08E	8	5.91	3.15	9.06	18.11	5.20	4.72	11
EBJ-12EL	12	4.33	2.36	7.48	14.17	5.71	4.96	12.33
EBJ-12E	12	5.91	2.36	9.06	17.32	5.71	4.96	13.88
EBJ-20EL	20	3.94	2.36	7.48	13.78	6.42	5.63	17.4
EBJ-20E	20	5.91	2.36	9.53	17.80	6.42	5.63	20
EBJ-30E	30	6.50	-	10.83	17.32	6.81	6.02	26.43
EBJ-50E	50	6.30	-	10.43	16.73	8.27	6.93	55.73

V2001

EAGLE PRO®



Eagle Pro Industrial Tools, Inc.

📍 Add : 1927 Boblett Street
Blaine, WA 98230

☎ Tel : 888 - 845 - 3213

📠 Fax : 888 - 735 - 8314

🌐 www.eagleprotools.com

✉ Email: sales@eagleprotools.com